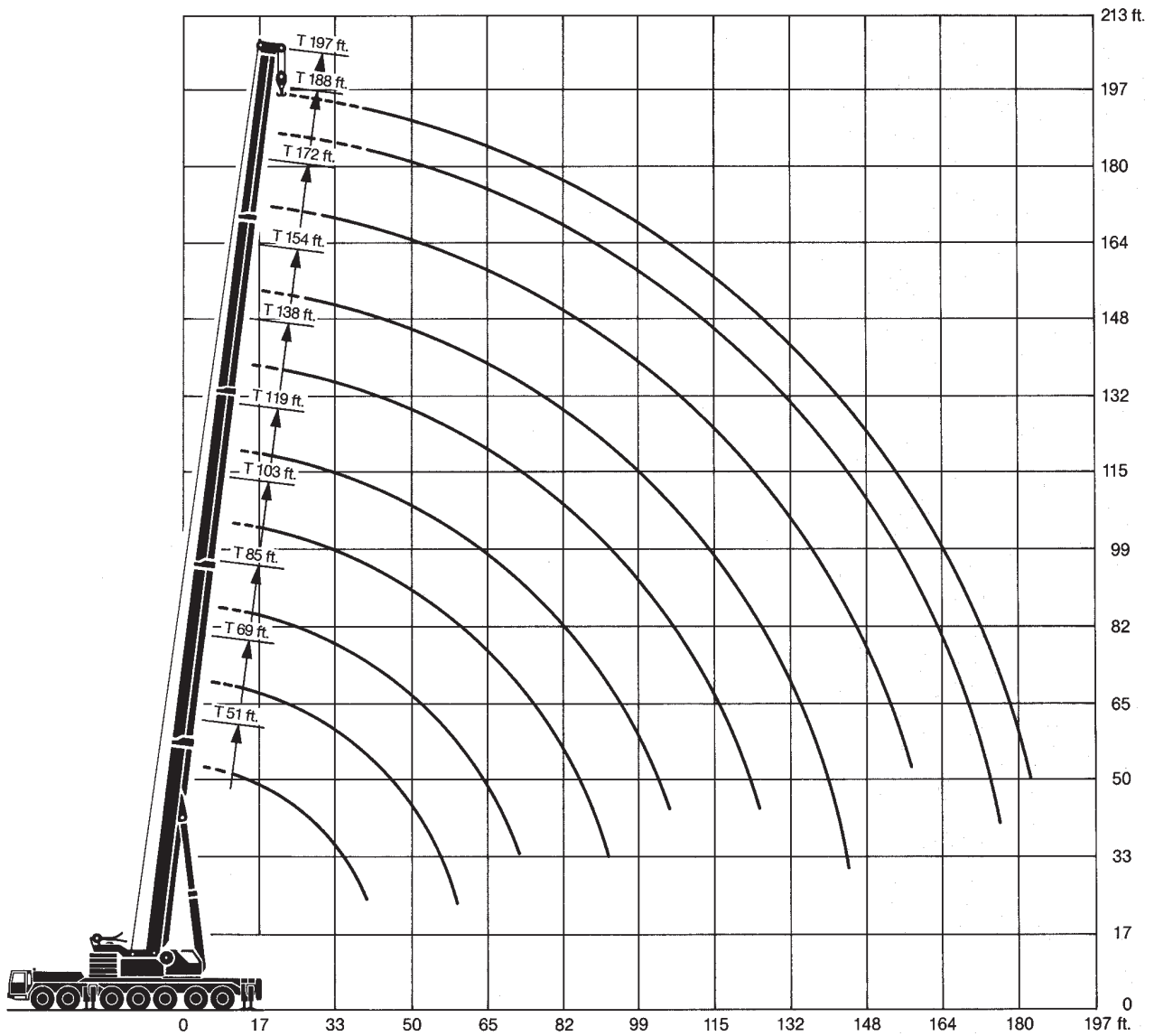




LIFTING CHARTS - All Terrain Cranes

LIEBHERR MODEL LTM 1300 - 400 TON CAPACITY

LIFTING HEIGHTS



STERLING CRANE

LIFTING CAPACITIES AT TELESCOPIC BOOM

Lifting capacities are given in kips (1,000 lbs).



51 ft – 197 ft



360°



198000 lbs



85%

ft	51 ft		69 ft	85 ft		103 ft		119 ft		138 ft	154 ft		172 ft	188 ft	197 ft	ft
	1)															
10	719	661														10
11	665	620														11
12	619	582	485													12
13	580	547	485													13
14	545	509	464	391	156											14
15	510	476	441	380	154	301										15
16	474	457	417	369	148	294										16
17	450	440	402	358	143	287	224									17
18	434	424	393	347	138	280	219									18
20	402	393	375	327	128	267	207	224	130							20
22	375	367	356	308	120	256	197	215	123							22
24	350	343	336	291	113	244	187	206	117	176						24
26	326	321	314	276	106	232	178	198	112	168						26
28	306	302	295	262	101	221	171	189	107	163	139	95.5				28
30	287	284	278	249	95.5	211	163	180	102	159	135	94				30
32	270	269	262	238	90.5	202	156	173	98	153	130	93				32
34	254	253	248	227	86.5	194	149	166	94	147	126	91	108			34
36	239	238	233	216	82.5	186	143	160	90.5	142	123	88.5	105			36
38	223	223	219	206	79	178	137	154	86.5	137	119	86.5	102			38
40			206	196	75.5	170	132	149	83.5	132	115	84	100	84.5	79.5	40
45			179	176	68.5	153	121	136	76	122	107	77.5	93.5	79.5	76	45
50			157	156	62.5	138	111	124	70	113	99.5	73	87.5	76	72	50
55			140	138	57.3	126	103	114	64.5	104	92.5	68.5	82	72	68	55
60				123	52.9	116	96	104	60	96	86.5	64.5	76.5	68.5	64	60
65				110	49.2	107	89.5	95.5	55.9	89.5	80.5	60.5	72	65	60.5	65
70				99	46.2	99.5	83.5	89	52.4	83.5	75	56.8	68	62	57	70
75						91.5	78.5	83	49.3	78	70.5	53.6	64	58.6	53.9	75
80						83.5	74	77.5	46.5	73	67	50.7	60.5	55.5	51	80
85						76	70.5	72	44	68	63.5	47.7	57.2	52.6	48.4	85
90						70	67	68	41.8	64	59.6	45.1	54.4	50	46.2	90
95								64	39.6	60.5	56.4	42.8	51.7	47.5	44	95
100								60	37.4	56.7	53.3	40.6	49.1	45.1	41.9	100
105										53.6	50.2	38.6	46.6	42.9	40	105
110										51	47.4	36.7	44.5	41.1	38.4	110
115										48.7	45	35	42.6	39.4	36.7	115
120										46.1	42.9	33.5	40.8	37.7	35.1	120
125											40.9	32.2	38.9	36	33.6	125
130											39.2	30.9	37.3	34.6	32.1	130
135											37.8	29.7	35.8	33.2	30.7	135
140											35.6	28.6	34.2	31.9	29.2	140
145													32.6	30.7	27.8	145
150													31.5	29.6	26.6	150
155													30.4	28.4	25.5	155
160														27.4	24.4	160
165														26.5	23.3	165
170														25.6	22.2	170
175														24.8	21.3	175
180															20.3	180
I	0	50	94	0	94	0	94	0	94	94	0	94	94	100	I	
II	0	0	0	0	50	94	94	0	94	94	94	94	94	100	II	
III	0	0	0	0	0	50	0	94	50	94	94	94	94	100	III	
% IV	0	0	0	94	0	0	0	94	0	0	94	50	94	100	IV	

1) over rear / en arrière

TAB 80255 / 80282

Remarks referring to load charts.

1. The tabulated lifting capacities do not exceed 85% of the tipping load.
2. The crane's structural steelwork is in accordance with DIN 15018, part 3. Design and construction of the crane comply with DIN 15018, part 2, and with F.E.M. regulations.
3. The 85% overturning limit values take into account wind force 5= wind speed 20 mph.
4. Lifting capacities are given in kips.
5. The weight of the hook blocks and hooks must be deducted from the lifting capacities.
6. Working radii are measured from the slewing centerline.
7. The lifting capacities given for the telescopic boom only apply if the folding jib is taken off.
8. Lifting capacities are subject to modifications.
9. Lifting capacities above 485 kips only with special equipment.

STERLING CRANE

LIFTING CAPACITIES AT TELESCOPIC BOOM



51 ft - 197 ft



360°



143000 lbs

85%

ft	51 ft		69 ft	85 ft		103 ft	119 ft		138 ft	154 ft		172 ft	188 ft	197 ft	ft	
	1)															
10	719	661													10	
11	665	620													11	
12	619	582	485												12	
13	580	547	485												13	
14	522	501	464	391	156										14	
15	472	461	441	380	154	301									15	
16	453	443	417	369	148	294									16	
17	435	426	401	358	143	287	224								17	
18	418	409	391	347	138	280	219								18	
20	384	378	370	327	128	267	207	224	130						20	
22	356	351	344	308	120	256	197	215	123						22	
24	330	328	320	291	113	244	187	206	117	176					24	
26	307	306	299	276	106	232	178	198	112	168					26	
28	285	285	279	262	101	221	171	189	107	163	139	95.5			28	
30	263	263	260	249	95.5	211	163	180	102	159	135	94			30	
32	244	244	241	237	90.5	202	156	173	98	153	130	93			32	
34	228	228	225	224	86.5	194	149	166	94	147	126	91	108		34	
36	214	214	211	209	82.5	186	143	160	90.5	142	123	88.5	105		36	
38	200	200	197	195	79	178	137	154	86.5	137	119	86.5	102		38	
40			184	182	75.5	170	132	149	83.5	132	115	84	100	84.5	79.5	40
45			158	156	68.5	153	121	136	76	122	107	77.5	93.5	79.5	76	45
50			138	135	62.5	135	111	124	70	113	99.5	73	87.5	76	72	50
55			121	118	57.3	118	103	113	64.5	104	92.5	68.5	82	72	68	55
60				104	52.9	104	96	103	60	96	86.5	64.5	76.5	68.5	64	60
65				92	49.2	92.5	89.5	91.5	55.9	89.5	80.5	60.5	72	65	60.5	65
70				81.5	46.2	83.5	83.5	82.5	52.4	82	75	56.8	68	62	57	70
75						74.5	78.5	74.5	49.3	75	70.5	53.6	64	58.6	53.9	75
80						67	73.5	67.5	46.5	68	67	50.7	60.5	55.5	51	80
85						59.9	66.5	61.5	44	62	62.5	47.7	57.2	52.6	48.4	85
90						54	60.5	55.5	41.8	57	57.4	45.1	54.4	50	46.2	90
95								50.1	39.6	52.4	52.9	42.8	51.7	47.5	44	95
100								45.3	37.4	48.1	48.8	40.6	49.1	45.1	41.9	100
105										43.7	45.1	38.6	46.6	42.9	40	105
110										39.9	41.6	36.7	43.4	41.1	38.4	110
115										36.5	38.3	35	40.5	39.4	36.7	115
120										33.4	35.1	33.5	37.7	37.7	35.1	120
125											32.2	32.2	34.9	36	33.6	125
130											29.7	30.9	32.3	34	32.1	130
135											27.3	29.7	29.9	31.8	30.7	135
140											25.2	28.6	27.7	29.5	29.1	140
145													25.6	27.4	27.5	145
150													23.7	25.5	25.6	150
155													22	23.8	23.8	155
160														22.1	22.2	160
165														20.6	20.6	165
170														19.2	19.2	170
175														17.9	17.9	175
180														16.7	16.7	180
I	0		50	94	0	94	0	94	0	94	94	0	94	94	100	I
II	0		0	0	0	50	94	94	0	94	94	94	94	94	100	II
III	0		0	0	0	0	50	0	94	50	94	94	94	94	100	III
IV	0		0	0	94	0	0	0	94	0	0	94	50	94	100	IV

1) over rear / en arrière

TAB 80257 / 80283

STERLING CRANE

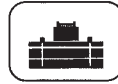
LIFTING CAPACITIES AT GUYED TELESCOPIC BOOM



85 ft - 197 ft



360°



198400 lbs

85%

ft	85 ft		103 ft		119 ft		138 ft	154 ft		172 ft	188 ft	197 ft	ft
14	400	137											14
15	397	136	272										15
16	384	135	272										16
17	372	133	271	194									17
18	362	132	270	194									18
20	343	130	269	194	218	89.5							20
22	328	128	267	194	218	89.5							22
24	315	126	266	194	218	89.5	162						24
26	303	124	264	194	218	89.5	162						26
28	289	122	255	194	215	89.5	162	132	85				28
30	274	121	244	194	210	89.5	162	132	85				30
32	258	120	234	194	203	89.5	162	132	85				32
34	244	119	225	190	196	89.5	161	132	85	82.5			34
36	231	118	216	182	189	89.5	159	132	85	82.5			36
38	218	117	207	175	182	89.5	156	132	85	82.5			38
40	205	115	199	168	176	89.5	153	131	85	82.5	64	58.2	40
45	177	106	179	154	162	89.5	143	124	85	82.5	64	58.2	45
50	155	96	158	142	148	89.5	133	116	83.5	82.5	64	58.2	50
55	136	87	140	131	136	87.5	125	109	81	82.5	64	58.2	55
60	121	79.5	124	122	125	82.5	117	103	78	82.5	64	58.2	60
65	107	73.5	111	114	113	77.5	109	96.5	74.5	82.5	64	58.2	65
70	96	69	99.5	105	102	72.5	102	91	70.5	80	64	58.2	70
75			89.5	96.5	92	68.5	94	86	67	76.5	64	58.2	75
80			81	88	83	64.5	86	81.5	63.5	73	63.5	58.2	80
85			73.5	80	75.5	61.5	78.5	77	60.5	69.5	62	58.2	85
90			67	73.5	69	58.4	72	73	57.4	66.5	59.2	56.2	90
95					63	55.6	66	68	54.6	63.5	56.9	54	95
100					57.7	53.2	60.5	62.5	52.1	60.5	54.7	51.6	100
105							55.8	57.7	49.7	57.4	52.4	49.4	105
110							51.5	53.4	47.7	55	50.3	47.4	110
115							47.6	49.5	45.8	52	48.3	45.6	115
120							44	45.8	44	48.7	46.3	43.9	120
125								42.5	42.3	45.4	44.6	42.2	125
130								39.5	40.9	42.3	43.1	40.7	130
135								36.7	39.5	39.5	41.1	39.3	135
140								33.6	38.2	36.8	38.8	37.9	140
145										34.4	36.3	36.4	145
150										32.1	34	34.1	150
155										30	31.9	32	155
160											29.9	30	160
165											28.1	28.1	165
170											26.3	26.4	170
175											24.7	24.7	175
180												23.2	180
I	94	0	94	0	94	0	94	94	0	94	94	100	I
II	0	0	50	94	94	0	94	94	94	94	94	100	II
III	0	0	0	50	0	94	50	94	94	94	94	100	III
IV	0	94	0	0	0	94	0	0	94	50	94	100	IV

TAB 80302

STERLING CRANE

LIFTING CAPACITIES AT GUYED TELESCOPIC BOOM



85 ft - 197 ft



360°



143300 lbs

85%

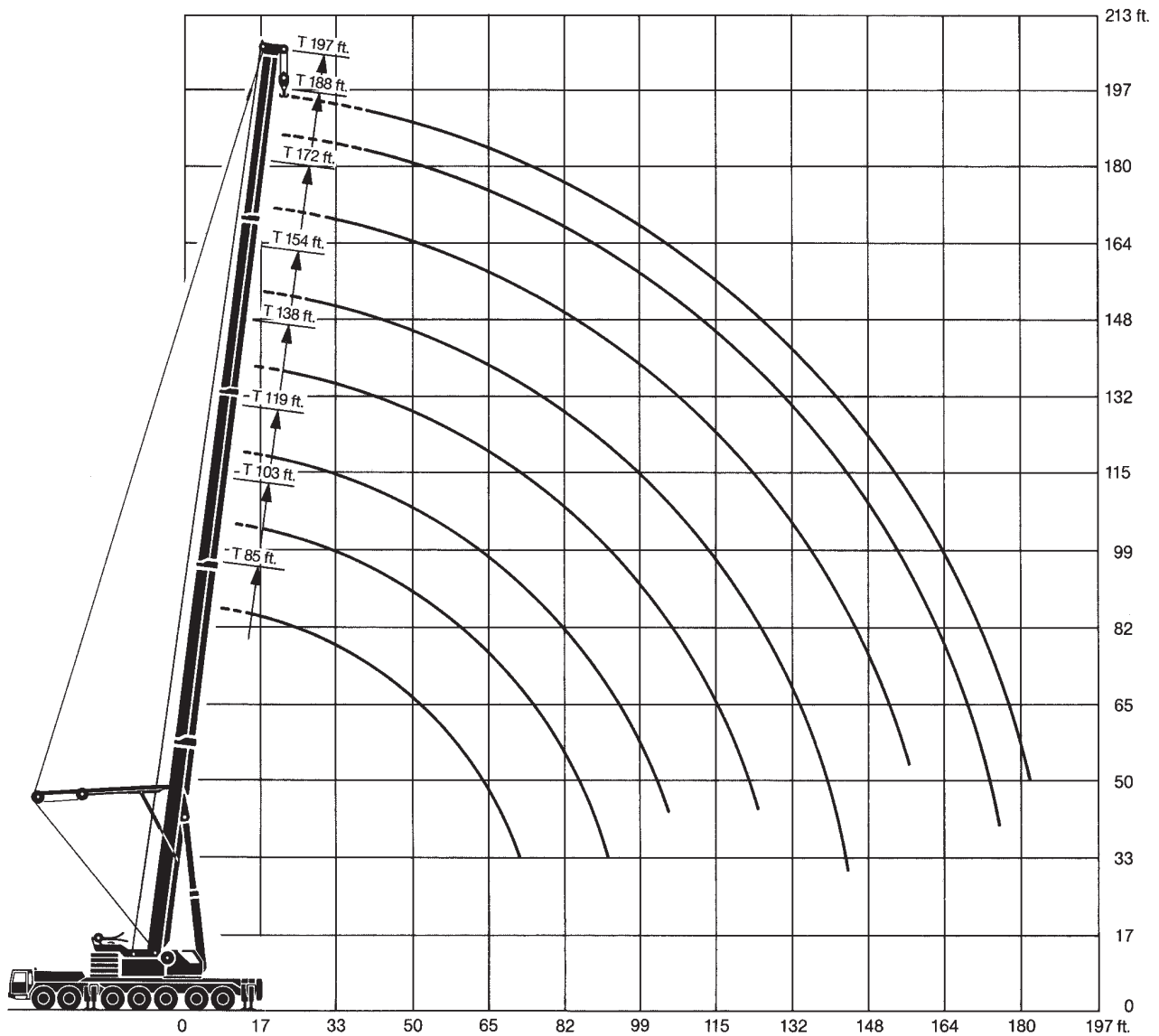
ft	85 ft		103 ft		119 ft		138 ft		154 ft		172 ft		188 ft		197 ft		ft
14	400	137															14
15	397	136	272														15
16	384	135	272														16
17	372	133	271	194													17
18	362	132	270	194													18
20	343	130	269	194	218	89.5											20
22	328	128	267	194	218	89.5											22
24	312	126	266	194	218	89.5	162										24
26	295	124	264	194	218	89.5	162										26
28	277	122	255	194	215	89.5	162	132	85								28
30	258	121	244	194	210	89.5	162	132	85								30
32	240	120	234	194	203	89.5	162	132	85								32
34	225	119	223	190	196	89.5	161	132	85	82.5							34
36	210	118	210	182	189	89.5	159	132	85	82.5							36
38	195	117	198	175	182	89.5	156	132	85	82.5							38
40	182	115	185	168	175	89.5	153	131	85	82.5	64			58.2			40
45	155	106	158	154	154	89.5	143	124	85	82.5	64			58.2			45
50	134	96	137	141	135	89.5	130	116	83.5	82.5	64			58.2			50
55	117	87	119	127	118	87.5	117	109	81	82.5	64			58.2			55
60	102	79.5	104	113	104	82.5	104	102	78	82.5	64			58.2			60
65	90.5	73.5	92.5	101	92	77.5	92.5	92.5	74.5	82.5	64			58.2			65
70	80	69	83	90.5	82.5	72.5	83.5	83.5	70.5	80	64			58.2			70
75			74	81	74.5	68.5	75.5	75.5	67	75.5	64			58.2			75
80			66	72.5	67	64.5	68	68.5	63.5	70	63.5			58.2			80
85			58.6	65.5	60.5	61.5	62	62.5	60.5	64	62			58.2			85
90			52.3	59.2	54.7	58.4	56.6	57.3	57.4	59.1	59.2			56.2			90
95					49.1	55.6	51.8	52.6	54.6	54.4	55.5			53.9			95
100					44.1	53.2	47.3	48.3	52.1	50.2	51.4			51			100
105							42.9	44.4	49.7	46.4	47.6			47.3			105
110							38.9	41	47.7	43	44.3			44			110
115							35.3	37.5	44.9	39.9	41.2			40.9			115
120							32	34.2	41.7	37	38.4			38.1			120
125								31.2	38.6	34.2	35.8			35.5			125
130								28.5	35.9	31.5	33.4			33.2			130
135								26	33.3	29	31			31			135
140								23.7	31	26.6	28.7			28.9			140
145										24.5	26.6			26.8			145
150										22.5	24.6			24.8			150
155										20.7	22.7			22.9			155
160											21			21.2			160
165														19.4			165
170														17.8			170
175														16.5			175
180														15.3			180
ft	I	94	0	94	0	94	0	94	94	0	94	94	100	I			
	II	0	0	50	94	94	0	94	94	94	94	94	100	II			
	III	0	0	0	50	0	94	50	94	94	94	94	100	III			
	IV	0	94	0	0	0	94	0	0	94	50	94	100	IV			

TAB 80303

STERLING CRANE

LIFTING HEIGHTS

GUYED TELESCOPIC BOOM



STERLING CRANE

LIFTING CAPACITIES AT THE LATTICE FLY JIB



172 ft – 188 ft



0° / 20°

34 ft – 138 ft



360°



143000 lbs

85%

ft	172 ft + 5 ft*				188 ft + 5 ft*										ft
	34 ft		34 ft		46 ft		69 ft		92 ft		115 ft		138 ft		
	0°	20°	0°	20°	0°	20°	0°	20°	0°	20°	0°	20°	0°		
40	60.5														40
45	57														45
50	54.1					40.9									50
55	51.3	40.3	46.4		39.3			30.6							55
60	48.4	38.5	42.9	36.1	37.8			29.3		23.2					60
65	46.1	37	41	34.8	36.4			28.1		22.2					65
70	44	35.6	39.5	33.7	34.8	27.9	27	21.3			16.7				70
75	42.2	34.2	37.9	32.6	33.4	26.9	25.9	20.5			16		12.2		75
80	40.6	32.9	36.2	31.5	32.1	26	24.9	19.2	19.7		15.3		11.7		80
85	38.9	31.6	34.6	30.4	31	25	23.8	18.2	18.9		14.6		11		85
90	37.4	30.5	33.3	29.5	29.6	24.1	22.8	17.5	18.1		13.9		10.4		90
95	35.8	29.4	31.9	28.4	28.3	23.3	21.9	16.9	17.3	12.5	13.2		9.8		95
100	34.2	28.3	30.6	27.3	27.2	22.6	21.1	16.3	16.6	12	12.7		9.3		100
105	33	27.4	29.1	26.2	26.3	21.8	20.3	15.8	15.9	11.6	12.1	8.5	8.8		105
110	32.2	26.7	28	25.3	25.2	21.1	19.5	15.2	15.3	11.1	11.5	8.1	8.4		110
115	30.9	25.9	27.1	24.5	24.3	20.5	18.8	14.7	14.7	10.7	11	7.9	8		115
120	29.6	25.2	26.1	23.7	23.4	19.9	18.1	14.1	14.1	10.3	10.5	7.6	7.7		120
125	28.6	24.5	25.1	23	22.4	19.4	17.4	13.6	13.6	9.9	9.9	7.3	7.4		125
130	27.7	23.9	24.3	22.3	21.7	18.8	16.8	13.2	13	9.6	9.5	7.1	7.2		130
135	26.8	23.4	23.4	21.5	20.9	18.3	16.1	12.8	12.5	9.2	9	6.9	6.9		135
140	25.8	22.8	22.5	20.9	20.2	17.8	15.6	12.5	12	8.9	8.7	6.6	6.6		140
145	24.5	22.2	21.7	20.3	19.5	17.4	15.1	12.1	11.6	8.7	8.3	6.3	6.3		145
150	23.1	21.7	21.1	19.7	18.8	17	14.6	11.7	11.2	8.3	8	6.1	6.1		150
155	21.4	21.1	20.4	19.2	18.2	16.5	14.1	11.3	10.8	8.1	7.8	5.9	5.9		155
160	19.7	20.4	19.8	18.6	17.7	16.1	13.7	11.1	10.3	7.9	7.5	5.7	5.6		160
165	18.2	19.3	18.9	18.1	17.1	15.7	13.2	10.9	9.9	7.7	7.2	5.5	5.4		165
170	16.7	17.8	17.8	17.5	16.6	15.3	12.8	10.7	9.6	7.5	7	5.4	5.1		170
175	15.4	16.3	16.5	17	16	15	12.4	10.4	9.3	7.4	6.8	5.2	4.9		175
180	14.1	14.9	15.2	16	15.3	14.6	12	10.1	9	7.2	6.6	5			180
185	12.9	13.6	14	14.7	14.3	14.2	11.6	9.9	8.6	7	6.3	4.9			185
190	11.8	12.4	12.8	13.5	13.2	13.8	11.2	9.7	8.4	6.8	6.1	4.9			190
195	10.8	11.2	11.8	12.3	12.1	12.9	10.8	9.5	8.2	6.6	6	4.7			195
200			10.8	11.3	11.1	11.9	10.4	9.3	8	6.5	5.8	4.6			200
210					9.2	9.8	9.5	9	7.6	6.3	5.4	4.4			210
220					7.6	7.9	8	8.6	7.3	6.1	5.1	4.2			220
230							6.5	7.4	6.8	5.9	4.8	4			230
240							5.2	5.9	5.9	5.8	4.5	3.8			240
250									4.7	5.5	4.3	3.6			250
260										3.5	4.2	3.6	3.4		260
270												3.2			270

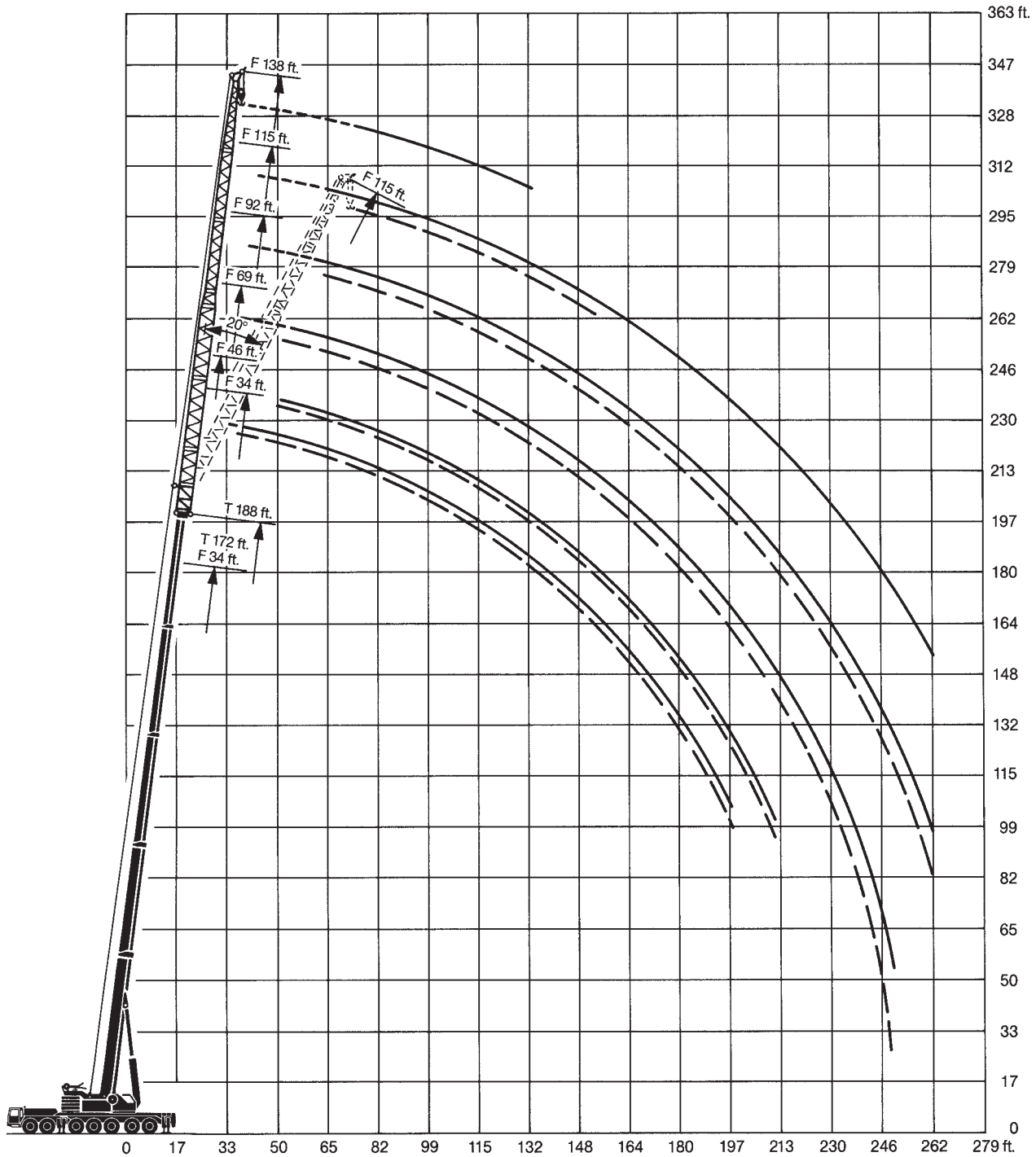
* adapter / pièce d'adaptateur

TAB 80086 / 80087

STERLING CRANE

LIFTING HEIGHTS

LATTICE FLY JIB



STERLING CRANE

LIFTING CAPACITIES AT THE LUFFING LATTICE JIB



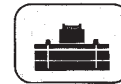
83°
85 ft - 119 ft



69 ft - 230 ft



360°



143000 lbs



85%

ft	85 ft + 10 ft*								119 ft + 10 ft*								ft
	69 ft	92 ft	115 ft	138 ft	161 ft	184 ft	207 ft	230 ft	69 ft	92 ft	115 ft	138 ft	161 ft	184 ft	207 ft	230 ft	
34	105																34
36	104																36
38	104																38
40	103	83.5							68								40
45	103	83							67								45
50	102	82.5	62.5						66.5	54.1							50
55	101	82	62						65.5	53.7							55
60	101	81.5	61.5	49.9					65	53.3	41.2						60
65	100	81	61.5	49.5					64	52.7	40.8						65
70	97.5	80.5	61	49.3	37.4				63.5	52.3	40.4	33.1					70
75		80	61	49.1	37.2	29				51.8	40.1	32.8	25.4				75
80		79.5	60.5	48.9	37.1	28.8				51.3	39.7	32.4	25.1	19.8			80
85		79	60	48.5	36.9	28.6				51	39.3	32	24.8	19.7			85
90		74	60	48.3	36.7	28.4	23.3			50.6	38.9	31.8	24.6	19.5			90
95			59.7	48	36.5	28.3	23.2	17.5			38.7	31.7	24.4	19.4	15.4		95
100			59.4	47.7	36.3	28.1	23	17.4			38.4	31.4	24.2	19.3	15.2	11.3	100
105			59.2	47.5	35.9	27.9	22.8	17.2			38.1	31	24	19.2	15	11.2	105
110			58.8	47.4	35.7	27.7	22.8	17			37.9	30.9	23.8	19	14.9	11.2	110
115				47	35.5	27.5	22.7	17			37.7	30.5	23.6	18.9	14.8	11	115
120				46.7	35.3	27.3	22.5	16.9				30.2	23.5	18.9	14.7	10.8	120
125				46.6	35.2	27.2	22.3	16.7				30.1	23.3	18.7	14.5	10.7	125
130				46.4	35	27	22.1	16.5				29.7	23.1	18.5	14.4	10.7	130
135					34.8	26.9	22.1	16.5					22.9	18.3	14.3	10.7	135
140					34.6	26.8	22	16.4					22.6	18.1	14.2	10.6	140
145					34.4	26.7	21.8	16.3					22.3	18	14	10.4	145
150					34.2	26.7	21.8	16.3					22.1	18	13.9	10.2	150
155					34	26.5	21.7	16.1					21.9	17.8	13.7	10	155
160						26.4	21.6	16						17.7	13.6	9.9	160
165						26.4	21.6	16						17.7	13.5	9.9	165
170						26.2	21.4	15.8						17.5	13.4	9.7	170
175							21.3	15.8						17.3	13.2	9.7	175
180							21.2	15.7						17.1	13	9.6	180
185							21.1	15.5							12.9	9.5	185
190							21.1	15.3							12.9	9.5	190
195							20.9	15.1							12.7	9.3	195
200								15								9.1	200
210								14.8								8.7	210
220								14.6								8.5	220

* adapter / pièce d'adaptateur

TAB 80023.1/2

STERLING CRANE

LIFTING CAPACITIES AT THE LUFFING LATTICE JIB



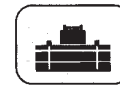
83°
154 ft - 172 ft



69 ft - 230 ft



360°



143000 lbs



85%

ft	154 ft + 10 ft*								172 ft + 10 ft*						ft
	69 ft	92 ft	115 ft	138 ft	161 ft	184 ft	207 ft	230 ft	69 ft	92 ft	115 ft	138 ft	161 ft	184 ft	
50	42.1								30.2						50
55	41.8	33.8							30	23.4					55
60	41.4	33.4							29.8	23.3					60
65	41	33.3							29.6	23.3					65
70	40.7	32.9	25.3						29.4	23.1	16.8				70
75	40.3	32.6	25.1	20.5					29.2	22.9	16.7	12.5			75
80		32.4	24.9	20.3	15.7					22.8	16.7	12.4	8.5		80
85		32	24.8	20.1	15.5					22.8	16.5	12.4	8.5		85
90		31.8	24.6	20	15.4	11.4				22.6	16.5	12.1	8.3		90
95		31.7	24.4	19.8	15.2	11.3	8.5			22.4	16.4	12.1	8.3	5.6	95
100			24.1	19.6	15	11.2	8.5				16.3	11.9	8.2	5.5	100
105			23.8	19.4	14.8	11.2	8.5	5.8			16.3	11.9	8	5.3	105
110			23.6	19.2	14.6	11	8.3	5.8			16.1	11.8	8	5.3	110
115			23.4	19	14.4	10.9	8.3	5.7			15.9	11.6	7.9	5.3	115
120			23.2	18.9	14.2	10.8	8.2	5.6			15.8	11.6	7.8	5.3	120
125				18.7	14.1	10.7	8	5.6				11.4	7.8	5.1	125
130					18.5	13.9	10.5	8	5.4			11.4	7.6	5.1	130
135					18.4	13.8	10.4	8	5.3			11.4	7.5	5.1	135
140				18.4	13.7	10.4	7.9	5.3					7.5	5.1	140
145					13.6	10.2	7.8	5.1					7.5	5.1	145
150					13.6	10.2	7.8	5.1					7.3	4.9	150
155					13.4	10	7.6	4.9					7.3	4.9	155
160						9.9	7.5	4.9						4.9	160
165						9.9	7.5	4.8						4.9	165
170						9.7	7.3	4.6						4.9	170
175						9.7	7.3	4.6						4.9	175
180						9.6	7.3	4.5						4.9	180
185							7.2	4.4							185
190							7	4.4							190
195							7	4.4							195
200							7	4.3							200
210								4.1							210
220								4.1							220

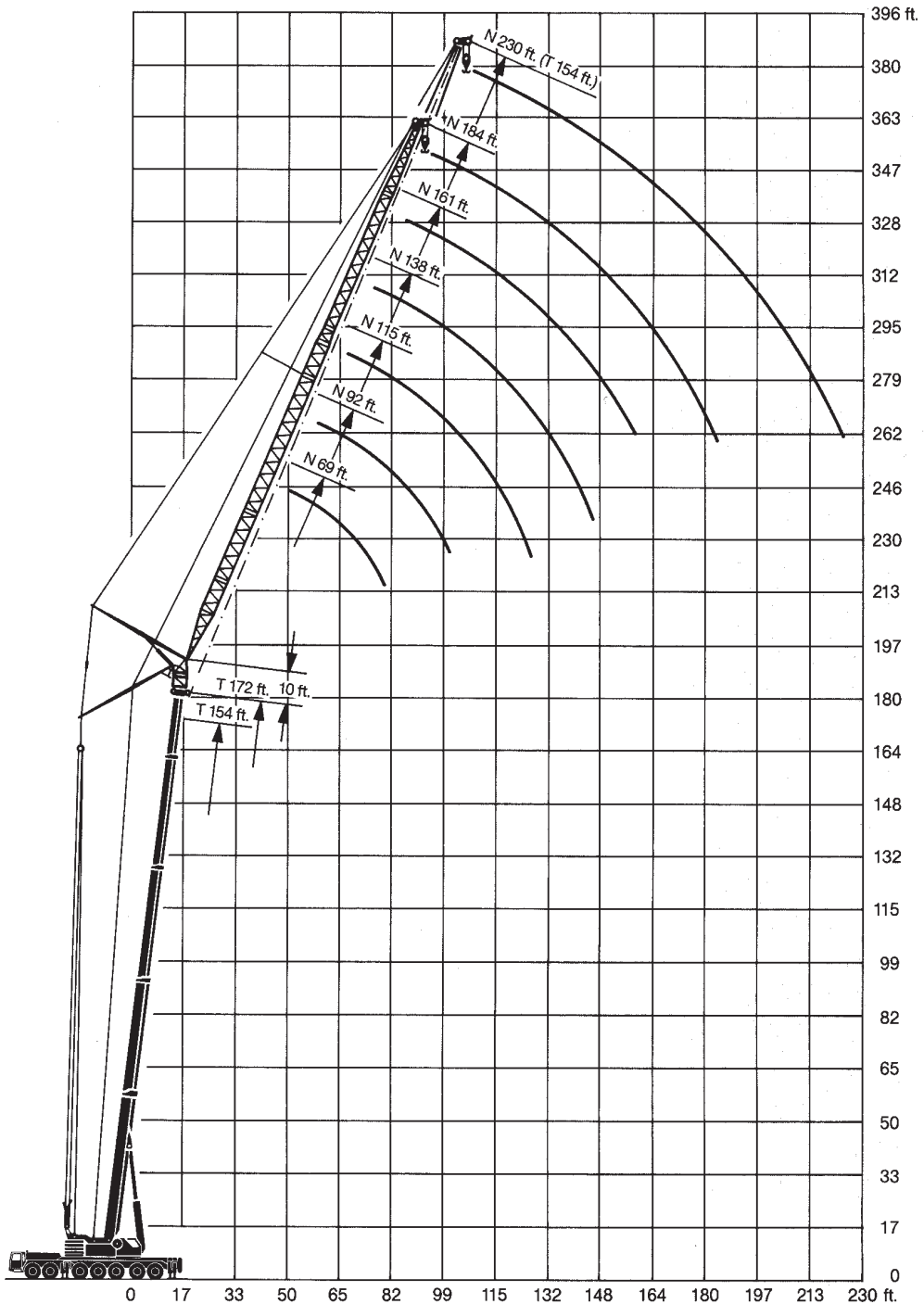
* adapter / pièce d'adaptateur

TAB 80023.2

STERLING CRANE

LIFTING HEIGHTS

LUFFING LATTICE JIB TELESCOPIC BOOM 83°



STERLING CRANE

LIFTING CAPACITIES AT THE LUFFING LATTICE JIB WITH GUYED TELESCOPIC BOOM



68°
85 ft – 119 ft



69 ft – 230 ft



360°



198000 lbs



85%

ft	85 ft + 10 ft*								119 ft + 10 ft*								ft	
	69 ft	92 ft	115 ft	138 ft	161 ft	184 ft	207 ft	230 ft	69 ft	92 ft	115 ft	138 ft	161 ft	184 ft	207 ft	230 ft		
80	94.5																80	
85	90																85	
90	85																90	
95	80	76.5							59.8								95	
100		74							58.6								100	
105		69.5	63						57.5	49.5							105	
110		66	62.5						56.2	48.7							110	
115		63	61							48							115	
120			58.4	49.3						47.3	41.1						120	
125			55.5	49						46.5	40.7						125	
130			53	48.8						45.8	40.4						130	
135			50.7	48.5	36.3						40.1	32.7					135	
140			48.5	47.4	36.1						39.9	32.4					140	
145				45.4	35.8	28.1					39.5	32.2	25.4				145	
150				43.5	35.5	27.9					39.3	32	25.3				150	
155				41.8	35.3	27.6					38.3	31.9	25.1				155	
160				40.1	35.1	27.3	21.7					31.7	24.9	18.6			160	
165					34.9	27.1	21.6					31.5	24.7	18.4			165	
170					34.5	26.9	21.4					31.3	24.5	18.4			170	
175					34.3	26.8	21.2	16.1				31.1	24.3	18.3	14.4		175	
180					33.5	26.5	21	15.9					24.3	18.2	14.3		180	
185					32.4	26.1	20.8	15.7					24.2	18.1	14.3		185	
190					31.2	26	20.6	15.5					24	18	14.1		190	
195						25.8	20.4	15.4					23.8	18	14.1	10.3	195	
200						25.6	20.3	15.2						17.9	14	10.1	200	
210							20.1	15						17.7	13.8	9.9	210	
220							19.8	14.7						17.5	13.6	9.9	220	
230							19.5	14.4							13.6	9.8	230	
240								14.2								13.5	9.7	240
250																	9.7	250
260																	9.5	260

* adapter / pièce d'adaptateur

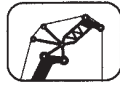
TAB 80109.1

STERLING CRANE

LIFTING CAPACITIES AT THE LUFFING LATTICE JIB WITH GUYED TELESCOPIC BOOM



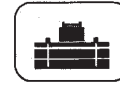
68°
154 ft – 172 ft



69 ft – 230 ft



360°



198000 lbs

85%

ft	154 ft + 10 ft*								172 ft + 10 ft*						ft
	69 ft	92 ft	115 ft	138 ft	161 ft	184 ft	207 ft	230 ft	69 ft	92 ft	115 ft	138 ft	161 ft	184 ft	
105	32.5														105
110	31.8														110
115	31.1								23						115
120	30.6	27.4							22.7						120
125		26.9							22.3	18.4					125
130		26.3							21.9	18					130
135		25.9	23.1							17.7					135
140		25.5	22.6							17.3	13.9				140
145			22.3	17.9						16.9	13.6				145
150			21.9	17.5						16.6	13.4				150
155			21.5	17.2							13.2	10.3			155
160			21.2	16.8	13						13	10.1			160
165			20.8	16.5	12.8						12.8	9.9	7.2		165
170			20.4	16.3	12.6						12.6	9.7	7.1		170
175				16.1	12.5	9.1					12.5	9.5	6.9		175
180				15.8	12.3	9						9.4	6.7	4	180
185				15.5	12.1	8.9	6.3					9.2	6.5	3.9	185
190				15.3	11.9	8.7	6.1					9	6.3	3.9	190
195					11.7	8.7	6.1					8.8	6.3	3.9	195
200					11.6	8.7	6	3.4					6.3	3.8	200
210						8.5	5.8	3.4					6.1	3.6	210
220						8.3	5.8	3.2					5.9	3.5	220
230						8.3	5.7	3.2						3.4	230
240							5.5	3.2							240
250							5.3	3.1							250
260							5.3	3							260
270								2.9							270

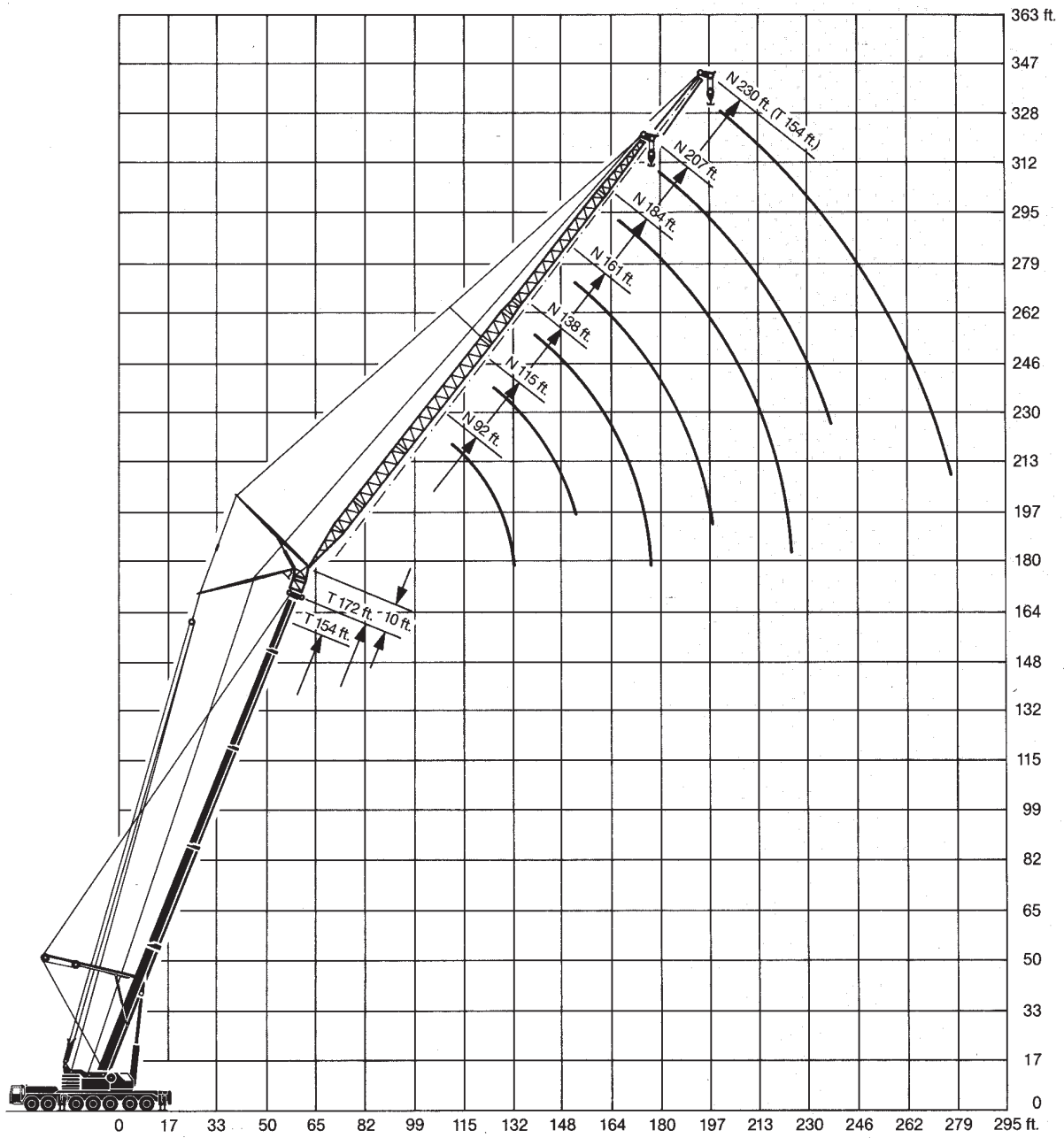
* adapter / pièce d'adaptateur

TAB 80109.2

STERLING CRANE

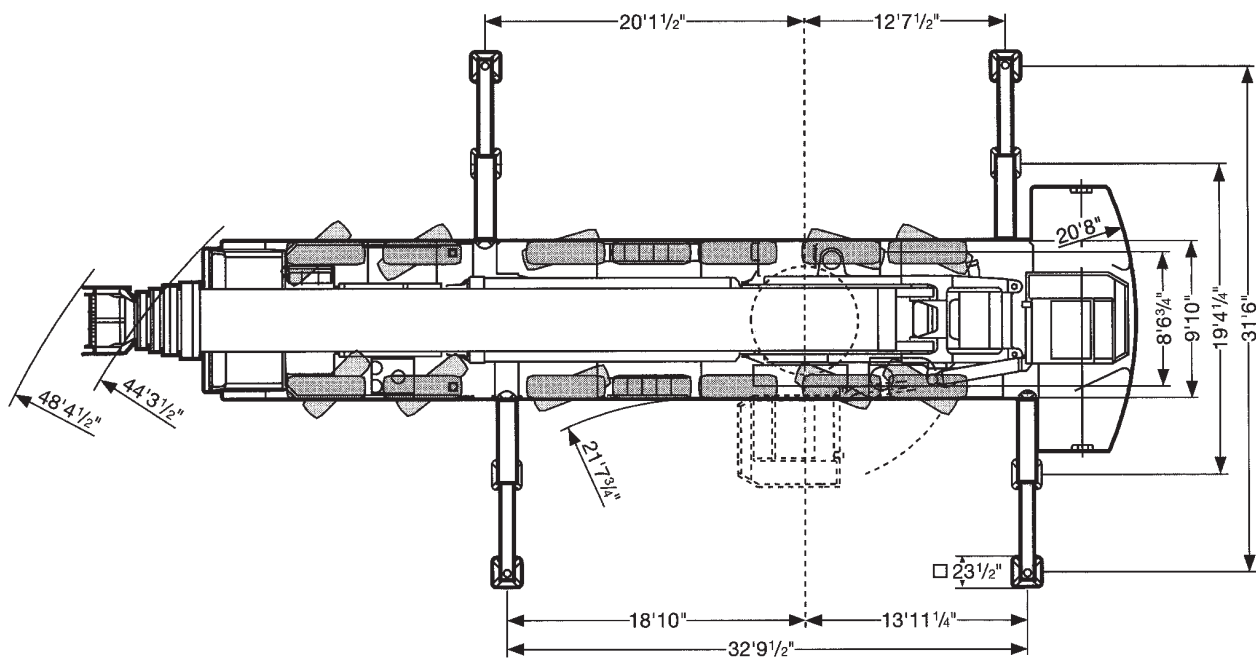
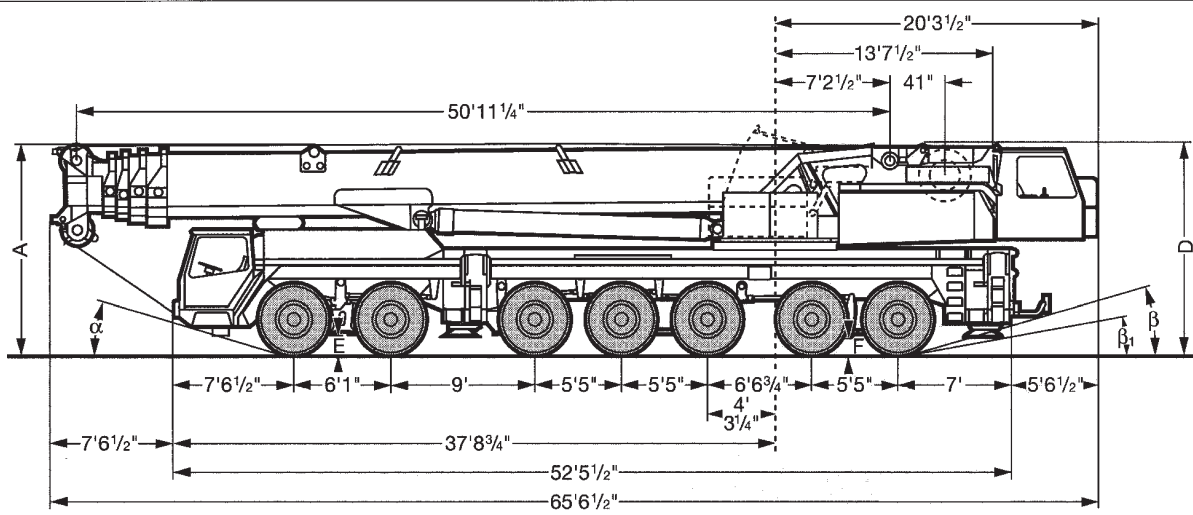
LIFTING HEIGHTS AT THE LUFFING LATTICE JIB WITH GUYED TELESCOPIC BOOM


Telescopic Boom 68°



STERLING CRANE

DIMENSIONS



 14.00 R 25	Dimensions / Encombrement mm							
	A	A 6''*	D	E	F	α	β	β ₁
	13'3/4"	12'6'3/4"	13'1'1/2"	11'3/4"	14'1/2"	17°	16.5°	9°

* lowered / abaissé

STERLING CRANE

WEIGHTS



Axle Essieu	1	2	3	4	5	6	7	Total weight Poids total
lbs	26400	26400	26400	26400	26400	26400	26400	184800








Load (kips) ¹⁾ Forces de levage (kips)	No. of sheaves Poulies	No. of lines Brins	Weight lbs Poids lbs
440	12	24	5940
370	9	19	5280
300	7	15	5390
226	5	11	4290
150	3	7	3190
66	1	3	1670
22	-	1	860






¹⁾ The safety regulations of the respective country shall be applicable.
Les spécifications de sécurité du pays concerné seront en vigueur.

WORKING SPEEDS



	1	2	3	4	5	R	
	8	13	22	30	40	8.5	18%
	3.75	6	10	14	19	4	32%
	14.00 R 25						



Drive Mécanismes	infinitely variable en continu	Rope diameter / Rope length Diamètre du câble / Longueur du câble	Max. single line pull Effort au brin maxi.
	0 - 492 ft/min single line ft/min au brin simple	¹⁵ / ₁₆ " / 1640'	22420 lbs
	0 - 492 ft/min single line ft/min au brin simple	¹⁵ / ₁₆ " / 2000'	22420 lbs
	0 - 1.3 rpm		
	approx. 70 seconds to reach 83° boom angle env. 70 s jusqu'à 83°		
	approx. 70 / 240 / 490 seconds for boom extension from 69 / 119 / 197 ft (incl. locking) env. 70 / 240 / 490 s pour passer de 69 / 119 / 197 ft (incl. verrouillage)		