



TRANSPORTATION SPECS - All Terrain Cranes

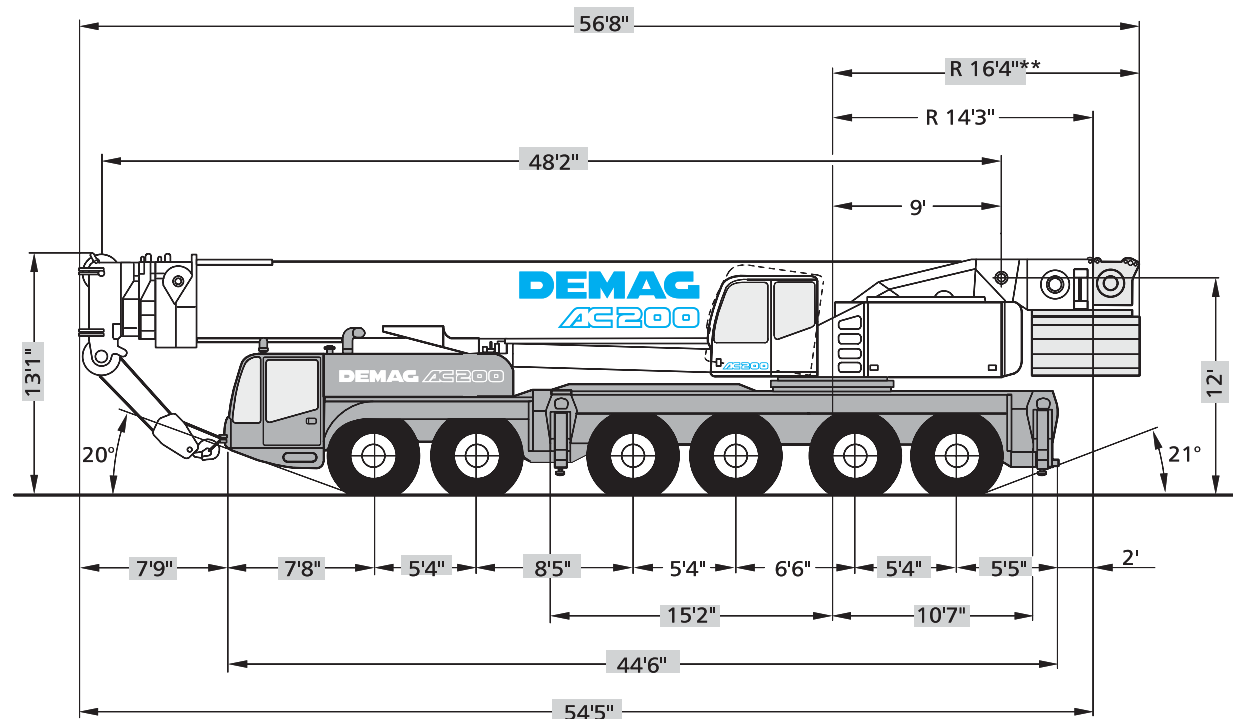
DEMAG MODEL AC 200 - 220 TON CAPACITY

| <u>COMPONENT WEIGHTS</u> | <u>LBS.</u> | <u>KGS.</u> | <u>JIB COMPONENTS WEIGHTS</u> | <u>LBS.</u> | <u>KGS.</u> |
|---|-------------|-------------|---|-------------|-------------|
| Complete Crane, 5 Axle Carrier (Incl. Block and Maximum CWT) | 273,250 | 123 945 | Lattice Type Swingaway 31.8' – 47.5' | 4,189 | 1 900 |
| Main Unit c/w Outriggers (No cwt and block) | 132,250 | 59 988 | Fixed Fly 67.3'- 86.9' – 106.6' - 126.3' | | |
| Counterweight Minimum | 0 | 0 | <u>JIB COMPONENTS WEIGHTS</u> | | |
| Counterweight Maximum | 141,000 | 63 957 | 2 – 20' Inserts, each | 1,102 | 500 |
| | | | 1 – 20' Inserts | 772 | 350 |
| | | | 1 – 20' Inserts | 726 | 420 |
| <u>ADDITIONAL INFORMATION</u> | | | | | |
| 107 Ton Block (5 Sheave) | 2,646 | 1 200 | | | |
| 30 Ton Block (Single Sheave) | 1,654 | 750 | | | |
| Second Wing | 4,188 | 1 900 | | | |
| Main Load Line (23mm x 300m) | 1,575 | 714 | | | |
| Auxiliary Load Line (23mm x 300m) | 1,575 | 714 | | | |
| Spare Tire /Rim (20.5 – R25) | 893 | 405 | | | |
| <u>COUNTERWEIGHTS</u> | | | | | |
| Base Plate | 9,300 | 4 218 | | | |
| Bottom Slab (1) | 16,000 | 7 258 | | | |
| Slabs (2) each | 22,700 | 10 297 | | | |
| Slab (1) | 15,200 | 6 895 | | | |
| Side CWTS (2) each | 15,500 | 7 031 | | | |
| Side CWTS (2) each | 11,000 | 4 990 | | | |
| <u>TRANSPORTATION</u> | | | | | |
| Average Driving Speed | | 60 km/hr | | | |

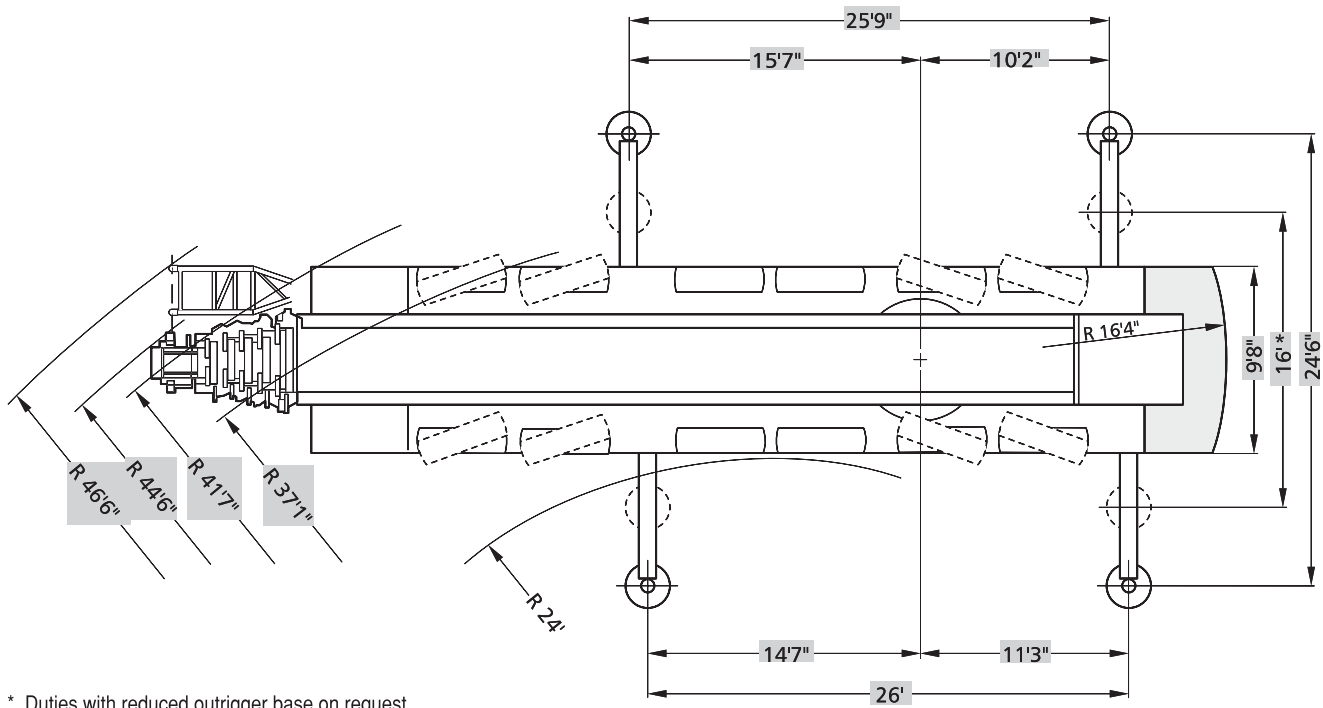
STERLING CRANE

Dimensions of 6-axle carrier

weight in travel order: 158,700 lb



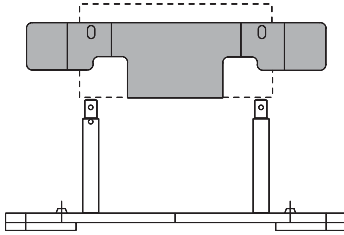
** up to 88,200 lb



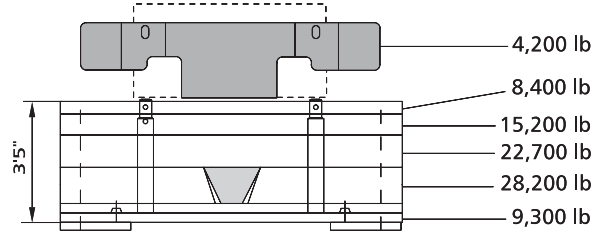
* Duties with reduced outrigger base on request

STERLING CRANE

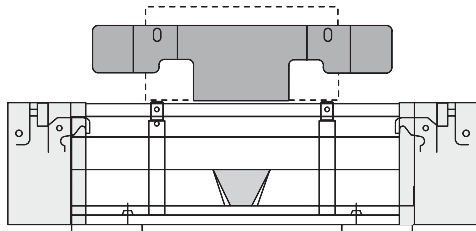
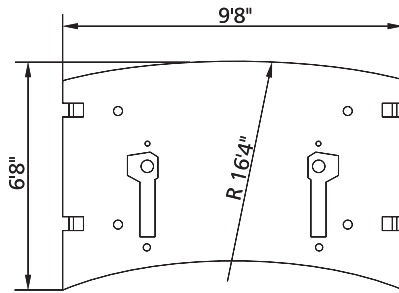
Dimensions of 6-axle carrier



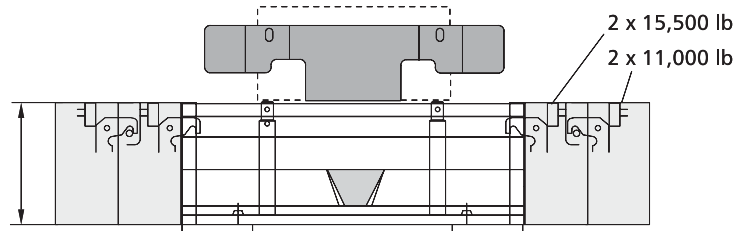
13,500 lb (9,200 lb carrier + 4,300 lb superstructure) counterweight + hoist II or equivalent weight for hoist II



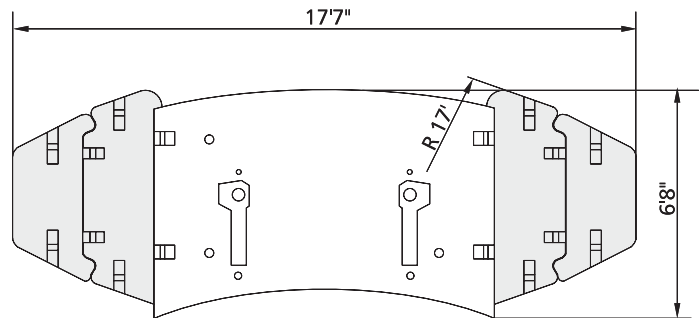
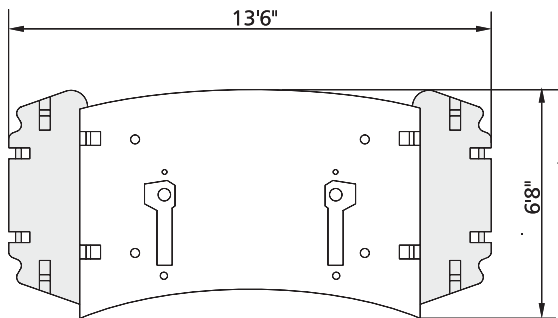
88,200 lb counterweight



119,100 lb counterweight (optional)



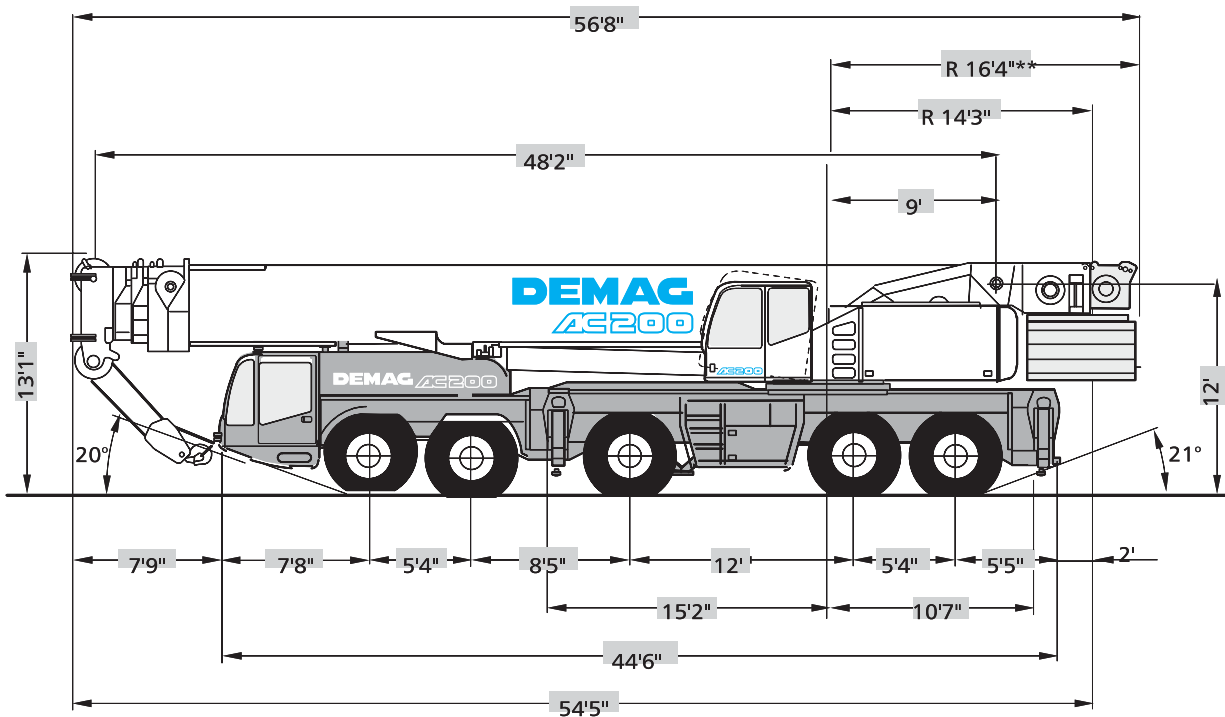
141,000 lb counterweight (optional)



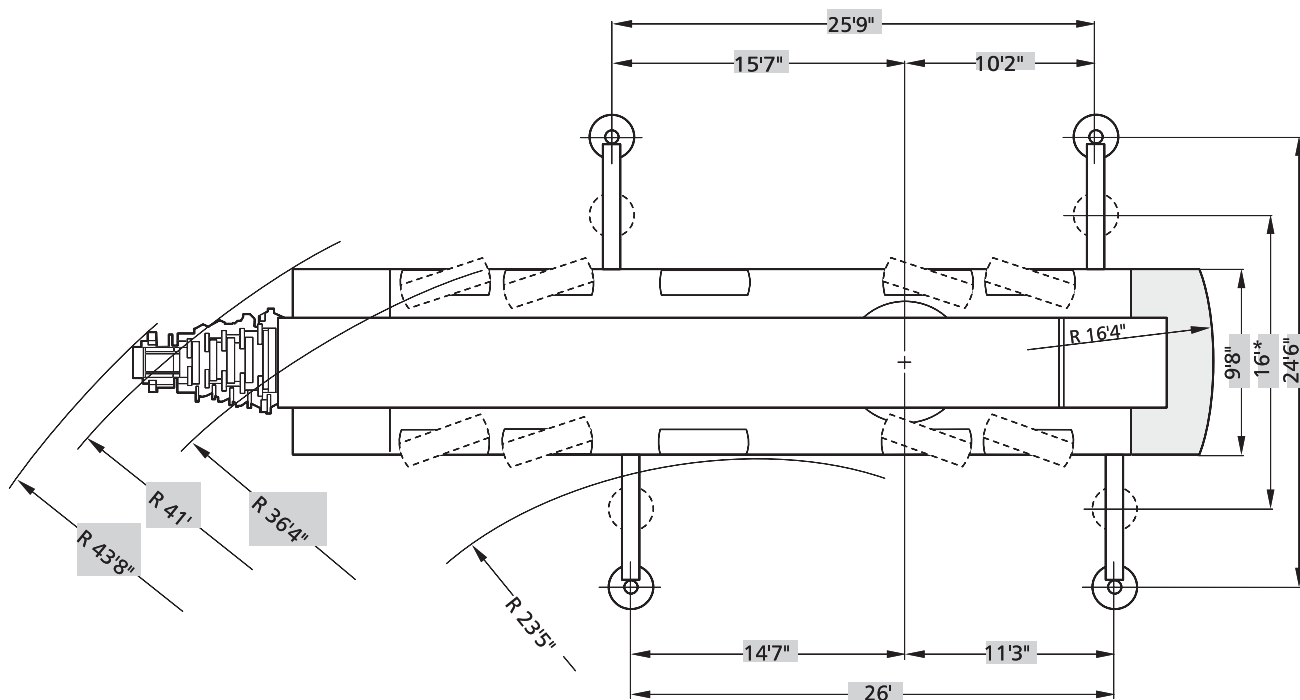
STERLING CRANE

Dimensions of 5-axle carrier (option)

weight in travel order: 132,250 lb



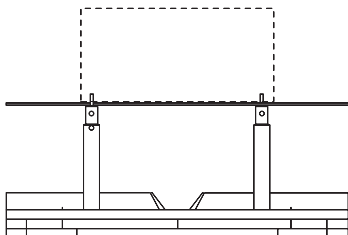
** up to 88,200 lb



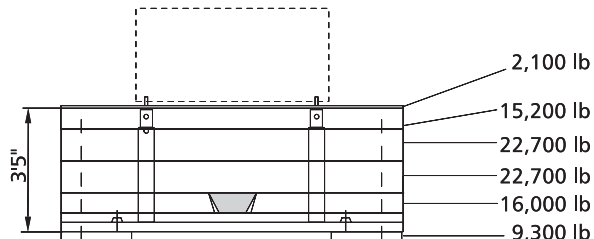
* Duties with reduced outrigger base on request

STERLING CRANE

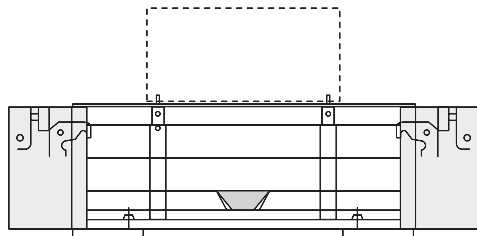
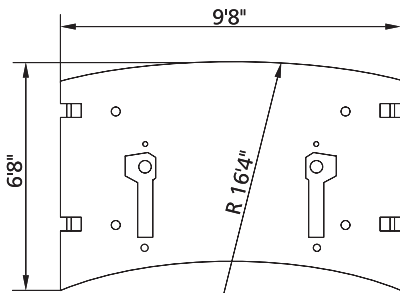
Dimensions of 5-axle carrier (option)



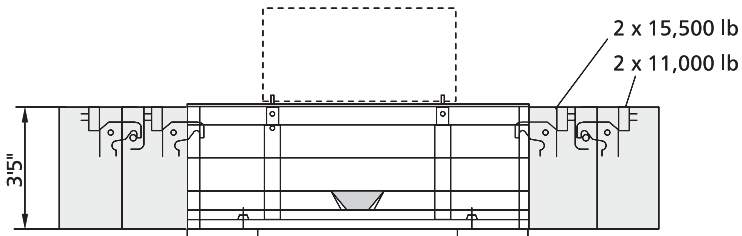
27,600 lb counterweight + hoist II
or equivalent weight for hoist II



88,200 lb counterweight



119,100 lb counterweight (optional)



141,000 lb counterweight (optional)

