

STERLING CRANE



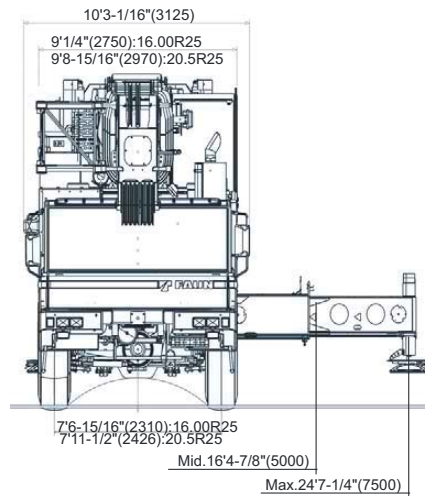
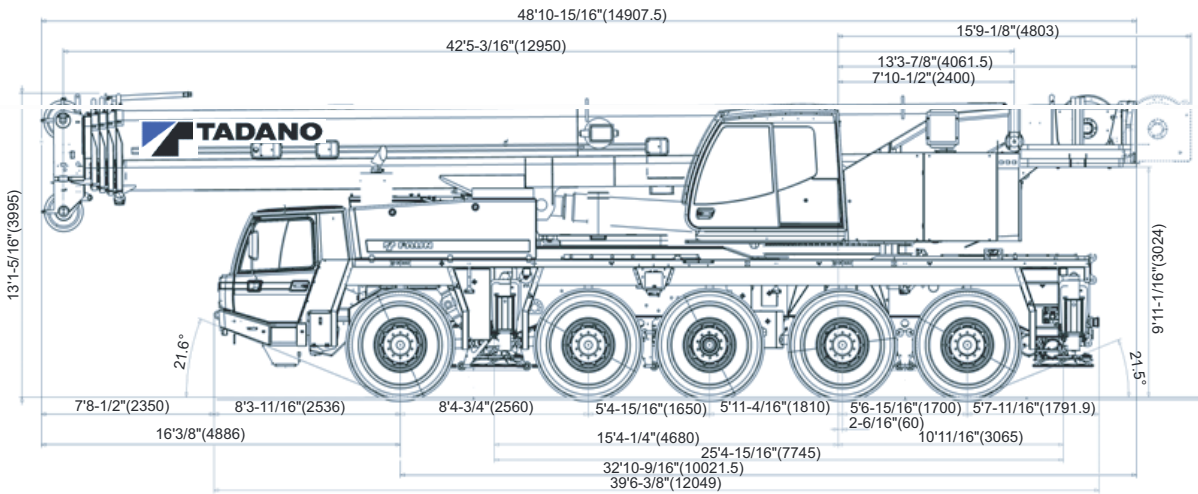
TRANSPORTATION SPECS - All Terrain Cranes

TADANO MODEL ATF 110G-5 - 130 TON CAPACITY

<u>COMPONENT WEIGHTS</u>	<u>LBS.</u>	<u>KGS.</u>	<u>COUNTERWEIGHTS</u>	<u>LBS.</u>	<u>KGS.</u>
Main Unit c/w Fly Jib & 8.7 t cwt.	132,276	60 000	Cwt. 8.7 t (9' x 5'10" x 11")	19,180	8 700
Main Unit	109,427	49,636	Cwt. 8.0 t (9' x 5'10" x 11")	17,637	8 000
Boom Dolly – Nelson CBC-50RT Triaxle / Tandem (38' x 10' x 8'6")	19,500	8 845	Cwt. 3.2 t (3'9" x 5'10" x 11")	7,055	3 200
			Cwt. 3.2 t (3'9" x 5'10" x 11")	7,055	3 200
			Cwt. 3.4 t (9' x 5'10" x 4'5")	7,496	3 400
			Cwt. 2.3 t (9' x 5'10" x 4")	5,071	2 300
			Cwt. 3.1 t (3'9" x 11" x 2'10")	6,834	3 100
<u>ADDITIONAL INFORMATION</u>					
Hook Block 80 mt (5 Sheave)	1,763	800	Cwt. 3.1 t (3'9" x 11" x 2'10")	6,834	3 100
Hook Block 63 mt (3 Sheave)	1,323	600	TOTAL COUNTERWEIGHT	77,160	35 000
Hook Block 25 mt (Single Sheave)	661	300			
Ball 10 mt	441	200			
Swingaway Jib (31'3" x 2'6" x 2'8")	3,669	1,664	<u>All Provinces / All Seasons</u>		
Stinger (20' x 2' x 2'8")	683	310	Cwt – 19,180 lb.	Tandem	
Jib Extension (25'10" x 2' x 2'2")	1,323	600	Cwt – 24,250 lb.	Tandem	
Auxiliary Winch c/w Rope	3,109	1 410	Cwt – 45,855 lb.	Tridem	
4 – 3.5' x 7' Steel Mats	4,200	1 909	Cwt – 63,490 lb.	Super B	
Tire Size 20.5R25			Cwt – 77,160 lb.	Super B	

STERLING CRANE

DIMENSIONS



TURNING RADIUS

Steering	Front wheel (10x4)	All wheel (10x8)
Carrier inside	19' 8-1/4" (6.0m)	16' 4-7/8" (5.0m)
Over carrier	38' 3-5/8" (11.675m)	34' 1-7/16" (10.4m)
Over boom	41' 4-1/16" (12.6m)	37' 8-3/4" (11.5m)
Over boom extension	43' 7-5/8" (13.3m)	39' 7-3/8" (12.075m)

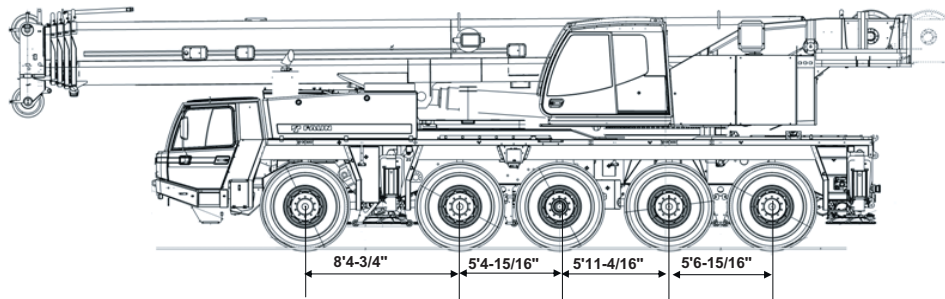
Specifications are subject to change without notice.

STERLING CRANE

ATF110G-5 Axle weight distribution chart

1) Normal traveling condition

	GVW	Axle 1	Axle 2	Axle 3	Axle 4	Axle 5
Base machine with 16.00R25 tires, no counterweight, no fuel, no driver	104,471	22,213	22,978	22,050	18,713	18,517
Add:						
1. 11.0 ton hook ball (in carrier storage)	441	73	73	0	148	148
2. 27.5 ton hook block in front	662	592	592	0	-261	-261
3. 69.4 ton hook block in front	1,323	1,195	1,195	0	-534	-534
4. 88.0 ton hook block in front	1,764	1,618	1,618	0	-736	-736
5. Boom extension (31.2ft/53.1ft) stored on main boom	3,669	2,277	2,277	0	-443	-443
6. Auxiliary winch with cable	3,109	-949	-949	0	2,503	2,503
7. Auxiliary boom point sheave (single top)	181	185	185	0	-95	-95
8. Drive 10x8	298	147	147	0	2	2
9. Drive/steer and outrigger control from crane cab	93	37	37	0	10	10
10. Air conditioning in carrier cab	108	77	77	0	-23	-23
11. Air conditioning in crane cab	106	-12	-12	0	65	65
12. Tool box at rear	154	-39	-39	0	116	116
13. Additional Hydraulic oil cooler	88	-7	-7	0	51	51
14. 20.5R25 tires in lieu of 16:00R25	1,036	207	207	207	207	207
15. Air & electrical circuits to rear for boom dolly	24	-4	-4	0	16	16
16. Free swing & boom hoist circuit for boom dolly	62	4	4	0	27	27



2) Traveling with boom dolly

	GVW	Axle 1	Axle 2	Axle 3	Axle 4	Axle 5	Boom Dolly
Base machine with 16.00R25 tires, no counterweight, no fuel, no driver	104,471	16,118	16,916	17,237	16,314	16,118	21,768
Add:							
1. 11.0 ton hook ball (in carrier storage)	441	73	73	0	148	148	0
2. 27.5 ton hook block at boom head	662	0	0	0	0	0	662
3. 69.4 ton hook block at boom head	1,323	0	0	0	0	0	1,323
4. 88.0 ton hook block at boom head	1,764	0	0	0	0	0	1,764
5. Boom extension (31.2ft/53.1ft) stored on main boom	3,669	-1,680	-1,680	0	3,514	3,514	0
6. Auxiliary winch with cable	3,109	1,455	1,455	0	100	100	0
7. Auxiliary boom point sheave (single top)	181	0	0	0	0	0	181
8. Drive 10x8	298	147	147	0	2	2	0
9. Drive/steer and outrigger control from crane cab	93	-37	-37	0	83	83	0
10. Air conditioning in carrier cab	108	77	77	0	-23	-23	0
11. Air conditioning in crane cab	106	29	29	0	24	24	0
12. Tool box at rear	154	-39	-39	0	116	116	0
13. Additional Hydraulic oil cooler	88	22	22	0	23	23	0
14. 20.5R25 tires in lieu of 16:00R25	1,036	207	207	207	207	207	0
15. Dolly brackets at boom	141	0	0	0	0	0	141
16. Towing attachment(190 kN)	198	0	0	0	99	99	0
17. Air & electrical circuits to rear for boom dolly	24	-3	-3	0	15	15	0
18. Free swing & boom hoist circuit for boom dolly	62	7	7	0	24	24	0
19. 2 Axle Dolly	6,000	0	0	0	0	0	6,000
20. 3 Axle Dolly	9,000	0	0	0	0	0	9,000

