

STERLING CRANE



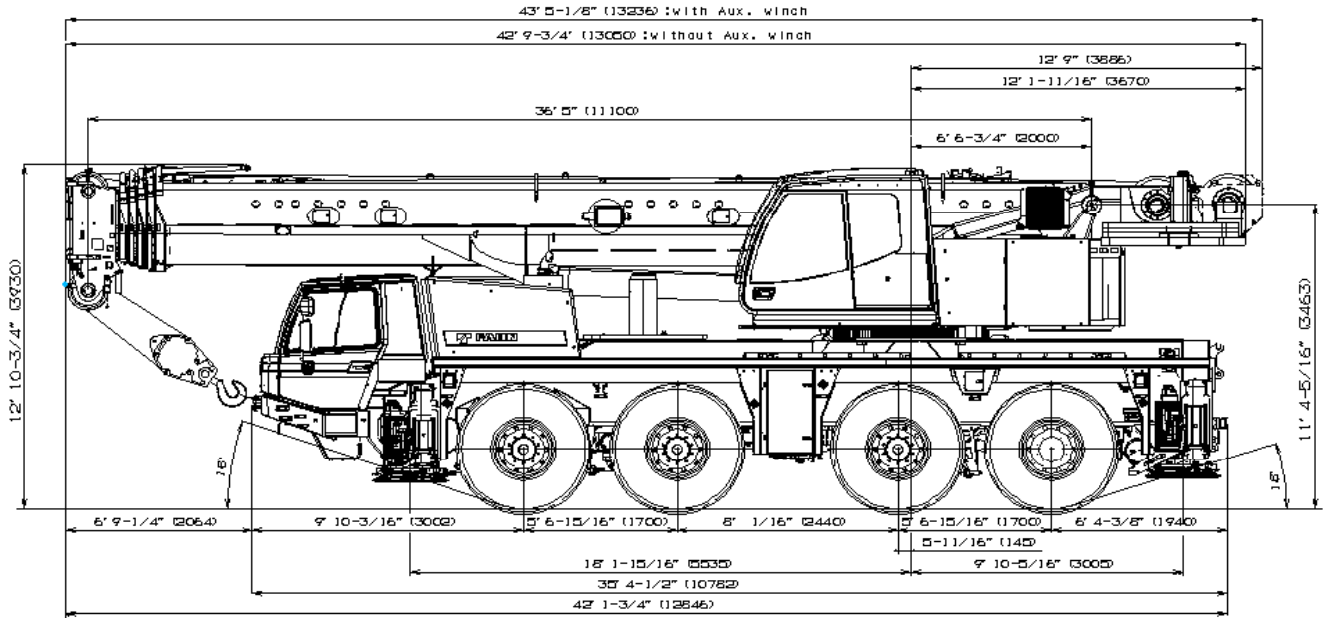
TRANSPORTATION SPECS - All Terrain Cranes

TADANO MODEL ATF90G-4 - 110 TON CAPACITY

<u>COMPONENT WEIGHTS</u>	<u>LBS.</u>	<u>KGS.</u>	<u>COUNTERWEIGHTS</u>	<u>LBS.</u>	<u>KGS.</u>
Main Unit c/w 32.8/59 ft jib & 4.5t	104,029	47,187			
Main Unit	86,217	39,108	1 Cwt. 1.0 t	2,205	1,000
Boom Dolly – Nelson CBC-20ST Triaxle / Tandem			2 Cwt. 1.0 t	2,205	1,000
			3 Cwt. 2.5 t	5,512.5	2,500
			4 Cwt. 2.7 t	5,953.5	2,700
			5 Cwt. 1.2 t	2,646	1,200
			6 Cwt. 4.4 t	9,702	4,400
			7 Cwt. 4.6 t	10,143	4,600
			8 Cwt. 2.9 t	6,394.5	2,900
			9 Cwt. 1.0 t	2,205	1,000
			TOTAL COUNTERWEIGHT	46,966.5	21,300
<u>ADDITIONAL INFORMATION</u>					
Hook Block 69.4 ton (5 Sheave)	1,440	654			
Hook Block 22 ton (Single Sheave)	660	300			
Ball 6.6 ton	340	155			
Swingaway Jib (31'3" x 2'6" x 2'8")	2,000	908			
Auxiliary Winch c/w Rope	2,230	1,012			
Single Top	162	74			
48" Round Wood Mats (minimum double stacked)	340 Per set of 4	154 Per set of 4	<u>All Provinces / All Seasons</u>		
Tire Size 525/80R25			Cwt – 42,556.5 lb	Tandem	

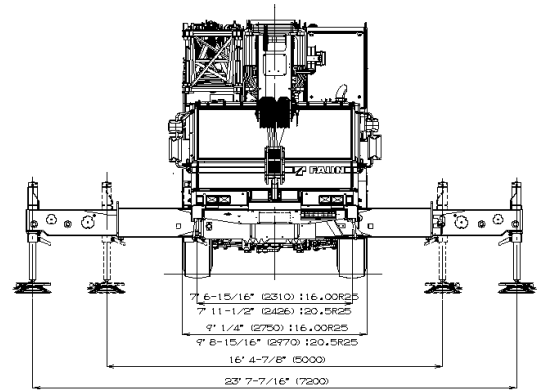
STERLING CRANE

DIMENSIONS



TURNING RADIUS

Steering	Front wheel(8X6)	All wheel(8X8)
Carrier inside	16'8-13/16"(5100mm)	12'9-9/16"(3900mm)
Over carrier	34'1-7/16"(10400mm)	29'10-1/4"(9100mm)
Over boom	37'8-3/4"(11500mm)	33'9-1/2"(10300mm)
Over boom extension	39'8-3/8"(12100mm)	35'9-1/8"(10900mm)



Specifications are subject to change without notice.