



TRANSPORTATION SPECS - All Terrain Cranes

LIEBHERR MODEL LTM 1220-5 - 270 TON CAPACITY

COMPONENT WEIGHTS

Main Unit c/w Fly Jib
Main Unit
Dolly: Nelson CBC-20S, Tandem
(8'6" x 8' x 10')

LBS.

132,276
126,600
5,600

KGS.

60 000
57 425
2 540

COUNTERWEIGHTS

Base Plate (9'10" x 8'3" x 3'2")
Cwt. (11'10" x 7'10" x 1'8")
Cwt. (11'10" x 7'10" x 10")
Cwt. (11'10" x 7'10" x 10")
Cwt. (11'10" x 7'10" x 10")
Cwt. (6' x 4'2" x 3'5")
Cwt. (6' x 4'2" x 3'5")
TOTAL COUNTERWEIGHT

LBS.

26,455
22,046
22,046
22,046
26,455
22,046
22,046
163,140

KGS.

12 000
10 000
10 000
10 000
12 500
10 000
10 000
74 000

ADDITIONAL INFORMATION

125 Ton 5 Sheave DJ Block
80 Ton 3 Sheave DJ Block
32 Ton Single Sheave Block
12.5 Ton Ball
Swingaway Jib (42' x 3'6" x 5'4)
Jib Extension (23'4" x 2'3" x 3'10")
Jib Extension (23'8" x 3'1" x 5'10")
Auxiliary Winch
4 – 5' x 7' Steel Mats
Tire Size 20.5R25

2,756
2,205
1,851
1,103
5,676
1,301
2,976
2,070
6,000

1 250
1 000
840
500
2 580
590
1 350
941
2 727

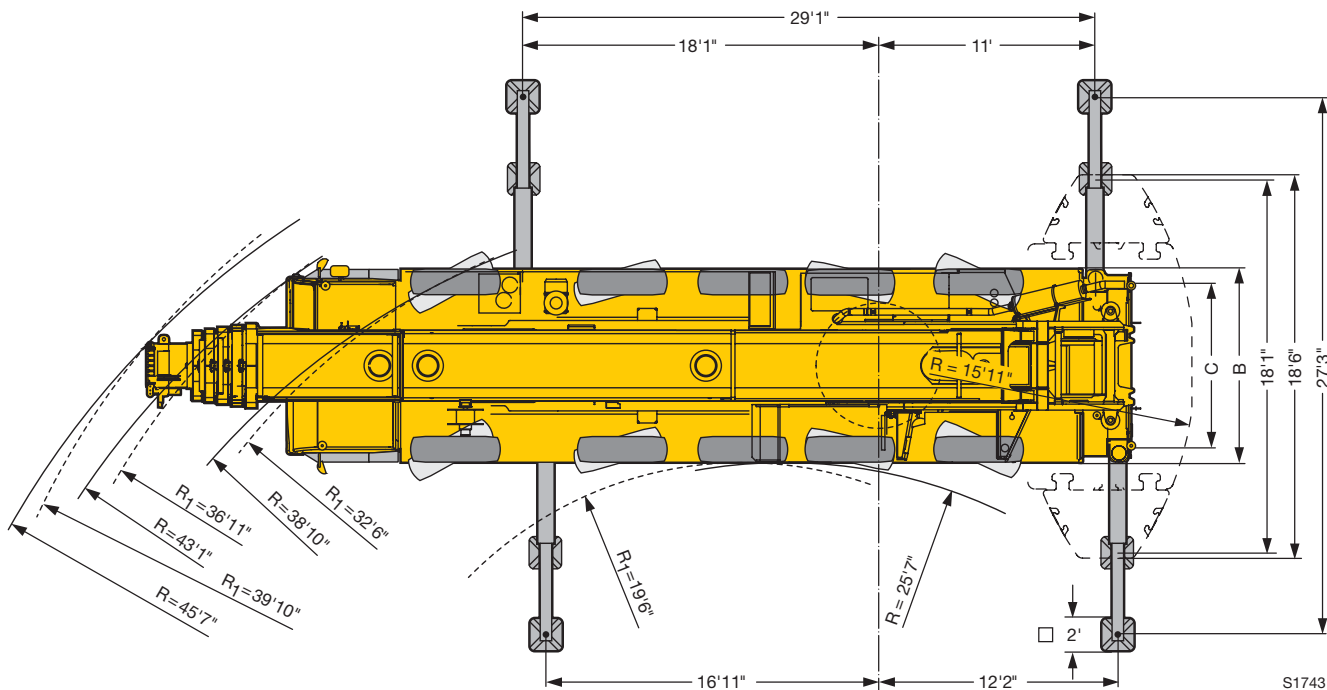
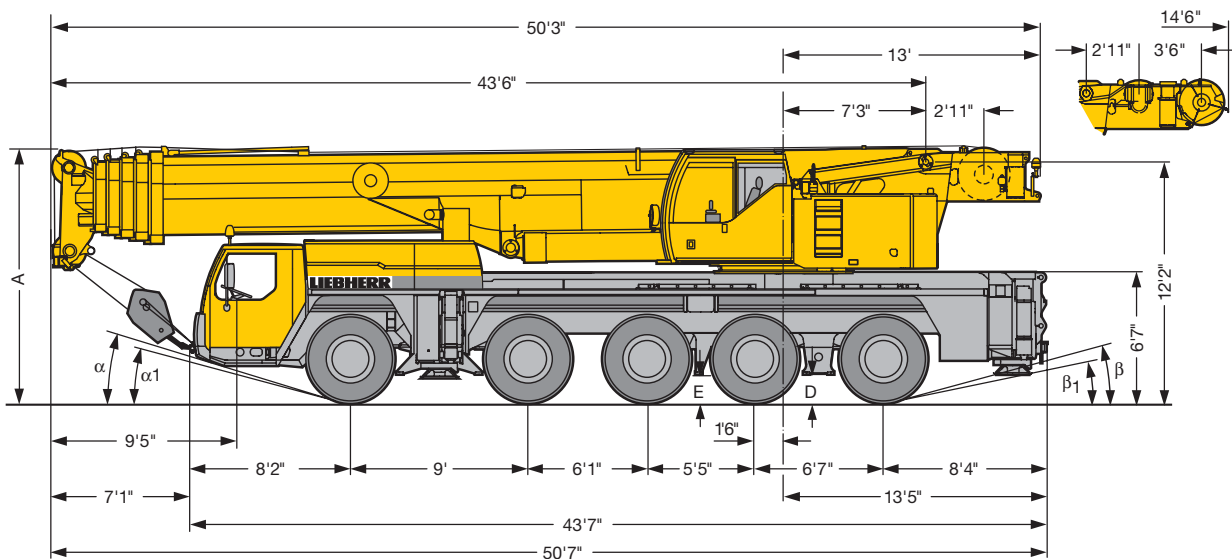
All Provinces / All Seasons

Cwt – Zero
Cwt – 26,500 lb.
Cwt – 48,500 lb.
Cwt – 75,000 lb.
Cwt – 97,000 lb.
Cwt – 119,000 lb.
Cwt – 163,100 lb.

Tandem
Tandem
Tridem
Super B
Super B & Tandem
Super B & Triaxle
2 Super B's

STERLING CRANE

Dimensions Encombrement



R_i = with independent rear-axle steering / à direction essieu arrière indépendante

	Dimensions / Encombrement										
	A	A	B	C	D	E	α	α ₁	β	β ₁	
16.00 R 25	13'1"	0,6" *	8'4"	9'10"	1'4"	1'3"	17°	15°	15°	11°	
20.5 R 25	13'1"	12'8"	8'10"	10'7"	1'4"	1'3"	17°	15°	15°	11°	

* lowered / abaissé