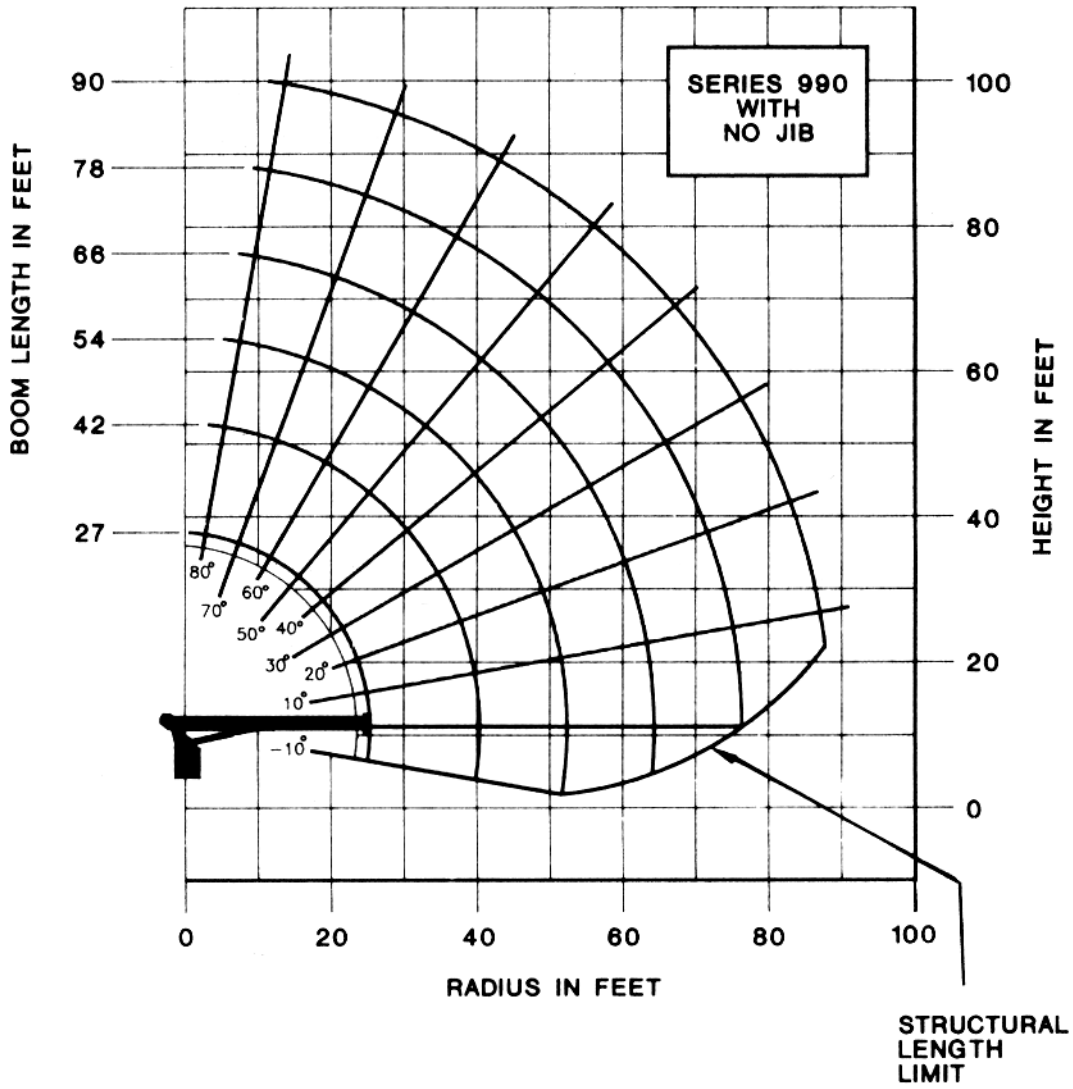


STERLING CRANE

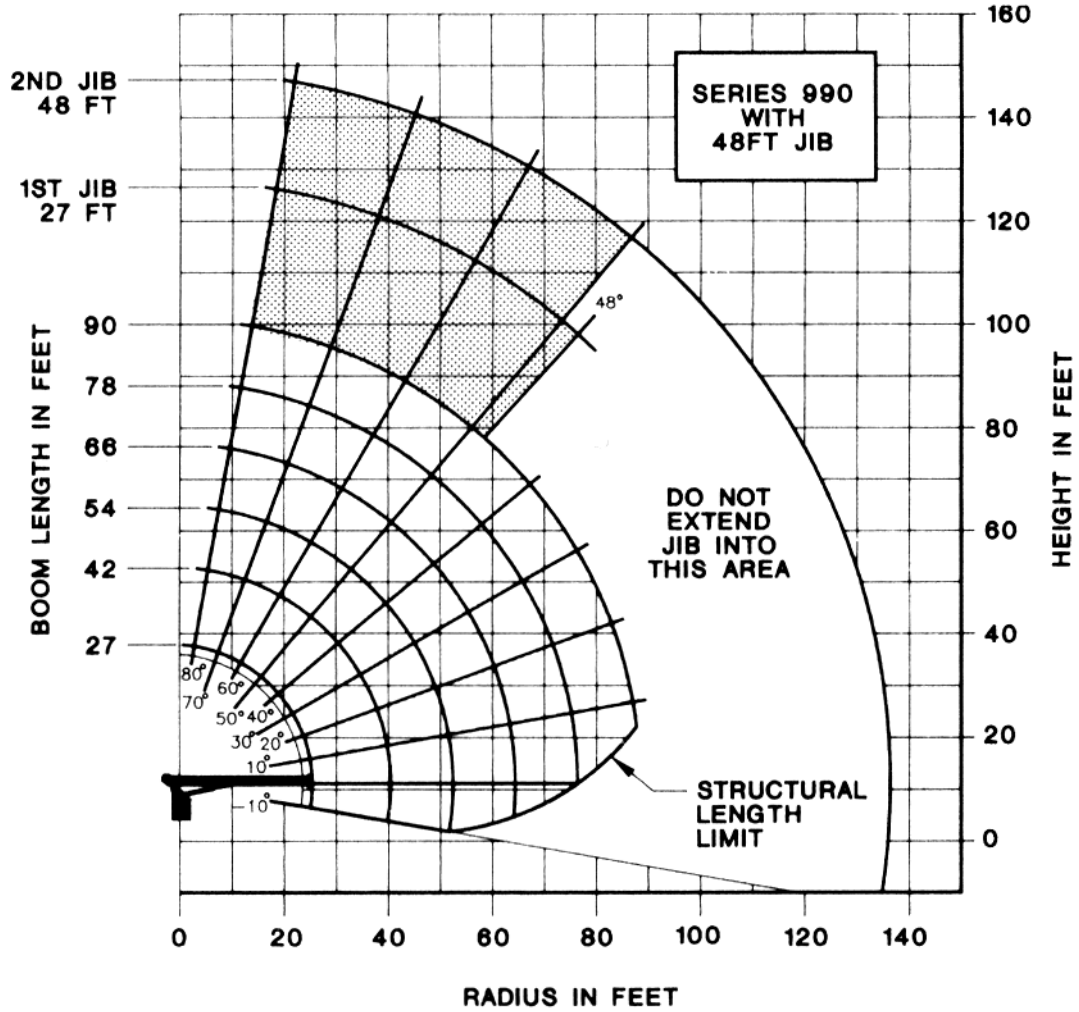


LIFTING CHARTS - Boom Trucks

NATIONAL MODEL 990 - 25 TON CAPACITY



STERLING CRANE



LMI OPERATING CODE SWITCH	
SWITCH POSITION (REF #17)	OPERATING MODE
01	MAIN BOOM - NO JIB STOWED
02	MAIN BOOM - JIB STOWED
03	27 FT TELE JIB
04	48 FT TELE JIB
11	MAN BASKET ON MAIN BOOM
12	MAN BASKET ON 27 FT TELE JIB
13	MAN BASKET ON 48 FT TELE JIB

NOTE:

1. Operate with jib by radius When main boom is fully extended. If necessary increase boom angle to maintain loaded radius.
2. Operate with jib by boom angle when main boom is not fully extended. Do not exceed rated jib-capacities at any reduced boom lengths.

STERLING CRANE

NO JIB LOAD RATINGS

LOAD RADIUS (FEET)	LOADED BOOM ANGLE	27FT BOOM (LBS)	LOADED ANGLE BOOM	42FT BOOM (LBS)	LOADED BOOM ANGLE	54FT BOOM (LBS)	LOADED BOOM ANGLE	66FT BOOM (LBS)	LOADED BOOM ANGLE	78FT BOOM (LBS)	LOADED BOOM ANGLE	90FT BOOM (LBS)	LOADLINE EQUIPMENT DEDUCT
*4.75	79.4	50,000											
5	79	46,000											
8	72	33,000											
10	67	27,400	76.5	23,900	80	22,300							
12	62	23,500	73.5	20,900	77.5	19,100							
14	57	20,500	70.5	18,100	75.5	16,700	79	15,400					
16	51	18,100	67.5	16,100	73.5	14,800	77	13,500	79.5	12,600			
20	37	14,500	61	13,100	68.5	12,000	73	11,000	76.5	10,200	79	9,600	
25			52.5	10,500	62.5	9,700	68.5	8,900	72.5	8,200	75.5	7,700	
30			43	8,650	56	8,100	63.5	7,300	68.5	6,700	72	6,200	
35			30	6,950	49	6,700	58.5	6,200	64.5	5,650	68.5	5,200	
40					41	5,700	53	5,300	60	4,850	65	4,500	
45					31.5	4,700	47	4,600	55.5	4,200	61.5	3,900	
50					17	3,400	40.5	3,850	51	3,700	57.5	3,350	
55							32.5	3,200	45.5	3,200	53.5	2,900	
60							22	2,450	40	2,700	49	2,500	
65									33	2,250	44.5	2,150	
70									25	1,750	39.5	1,800	
75									11	900	34	1,450	
80											27	1,100	
85											17	600	

* REQUIRES 6x25 WIRE ROPE OPTION

DOWNHAUL WEIGHT= 150
 ONE SHEAVE BLOCK=200
 TWO SHEAVE BLOCK= 355
 THREE SHEAVE BLOCK= 530

STERLING CRANE

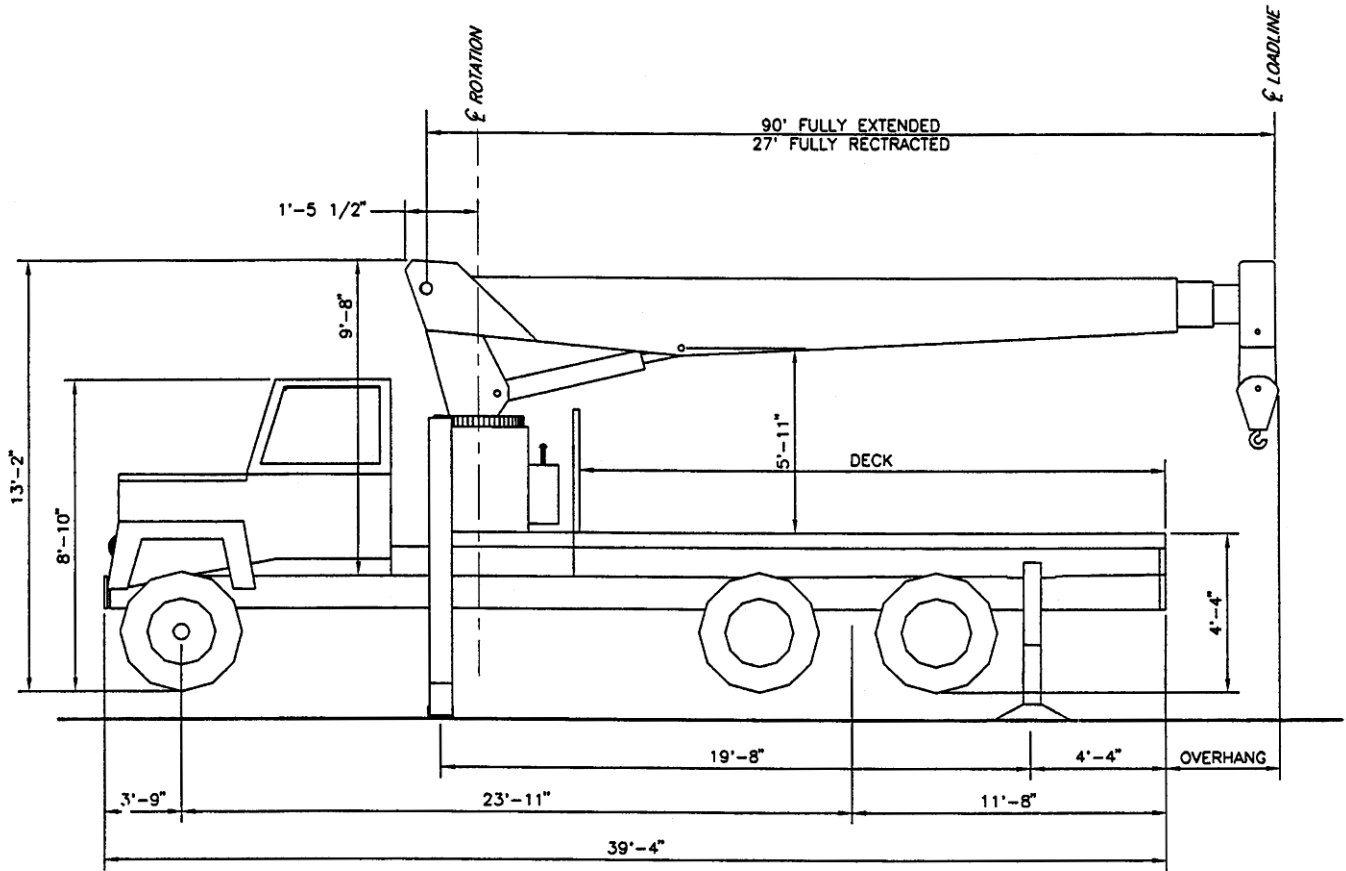
WITH 48FT JIB LOAD RATINGS

LOAD RADIUS (FEET)	LOADED BOOM ANGLE	27FT BOOM (LBS)	LOADED ANGLE BOOM	42FT BOOM (LBS)	LOADED BOOM ANGLE	54FT BOOM (LBS)	LOADED BOOM ANGLE	66FT BOOM (LBS)	LOADED BOOM ANGLE	78FT BOOM (LBS)	LOADED BOOM ANGLE	90FT BOOM (LBS)	LOADLINE EQUIPMENT DEDUCT
*4.75	79.4	50,000											
5	79	46,000											DOWNHAUL WEIGHT= 150 ONE SHEAVE BLOCK=200 TWO SHEAVE BLOCK= 355 THREE SHEAVE BLOCK= 530
8	72	32,300											
10	67	26,700	76.5	23,500	80	22,000							
12	62	22,800	73.5	20,500	77.5	18,800							
14	57	19,800	70.5	17,700	75.5	16,400	79	15,200					
16	51	17,400	67.5	15,700	73.5	14,500	77	13,300	79.5	12,400			
20	37	13,800	61	12,700	68.5	11,700	73	10,800	76.5	10,000	79	9,500	
25			52.5	10,100	62.5	9,400	68.5	8,700	72.5	8,000	75.5	7,600	
30			43	8,250	56	7,800	63.5	7,100	68.5	6,500	72	6,100	
35			30	6,550	49	6,400	58.5	6,000	64.5	5,450	68.5	5,100	
40					41	5,400	53	5,100	60	4,650	65	4,400	
45					31.5	4,400	47	4,400	55.5	4,000	61.5	3,800	
50					17	3,100	40.5	3,650	51	3,500	57.5	3,250	
55							32.5	3,000	45.5	3,000	53.5	2,800	
60							22	2,250	40	2,500	49	2,400	
65									33	2,050	44.5	2,050	
70									25	1,550	39.5	1,700	
75									11	700	34	1,350	
80											27	1,000	
85											17	500	
	0	6,500	0	3,000	0	1,600	0	700					
ADD TO CAPACITIES WHEN NO JIB STOWED (LBS)		700		400		300		200		200		100	

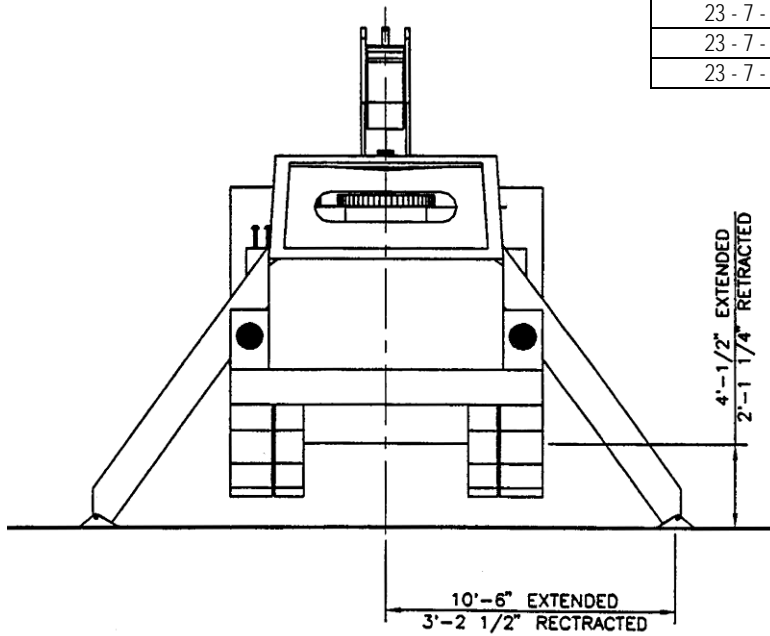
* REQUIRES 6x25 WIRE ROPE OPTION

LOAD RADIUS (FEET)	LOADED BOOM ANGLE	27FT JIB (LBS)	LOADED ANGLE BOOM	42FT JIB (LBS)
30	77	4,800	79.5	3,100
35	74.5	4,300	77.5	2,900
40	72	3,650	75.5	2,700
45	69.0	3,000	73.5	2,500
50	66.5	2,450	71.5	2,300
55	63.5	2,000	69.5	2,100
60	60.5	1,600	67	1,800
65	57.5	1,300	64.5	1,500
70	54.5	1,000	62	1,250
75	51.5	750	59.5	1,050
80	48	500	57	850
85			54	650
90			51	450

STERLING CRANE



BOOM TRUCK #	L.O.A	OVERHANG	DECK
23 - 7 - 618	36' - 5"	NA	8' x 20'
23 - 7 - 619	36' - 5"	NA	8' x 20'
23 - 7 - 628	36' - 4"	22"	8' x 20'



FRONT STABILIZER