

STERLING CRANE



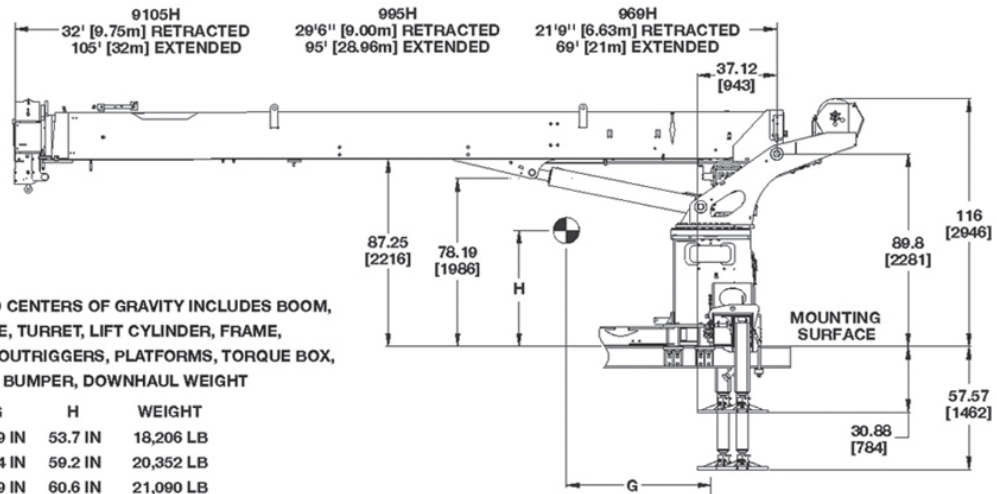
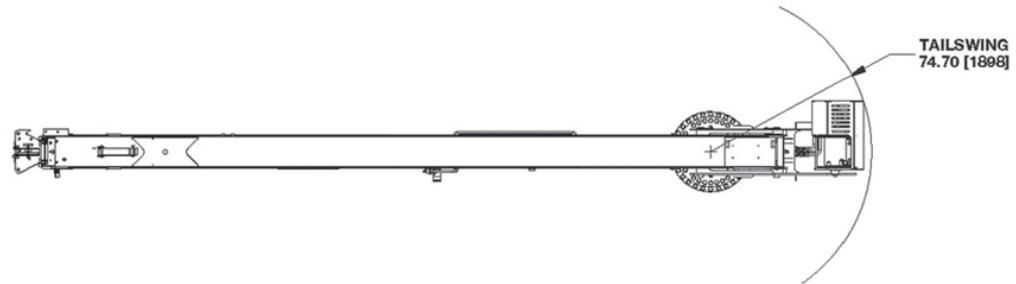
TRANSPORTATION SPECS - Boom Trucks

NATIONAL MODEL 900H - 27 TON CAPACITY

<u>COMPONENT WEIGHTS</u>	<u>LBS.</u>	<u>KGS.</u>
Complete Crane c/w Counterweight & Block	45,630	20 698
 <u>ADDITIONAL INFORMATION</u>		
Block 15 Ton Single Sheave	286	130
Ball 4.2 Ton	150	68
Tire Size: Fronts: 425/65R22.5 Rears: 11R22.5		
Deck Size: 8'6" x 21'6"		

STERLING CRANE

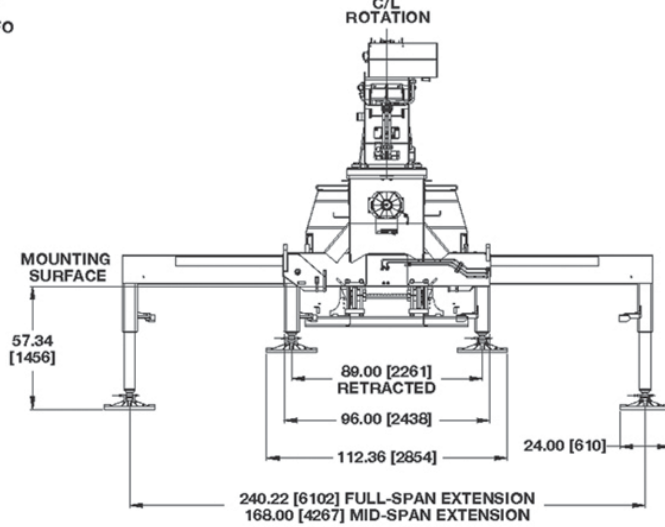
DIMENSIONAL SPECIFICATIONS



WEIGHT AND CENTERS OF GRAVITY INCLUDES BOOM, WINCH, ROPE, TURRET, LIFT CYLINDER, FRAME, CONTROLS, OUTRIGGERS, PLATFORMS, TORQUE BOX, BOOM REST, BUMPER, DOWNHAUL WEIGHT

	G	H	WEIGHT
969H	66.9 IN	53.7 IN	18,206 LB
995H	95.4 IN	59.2 IN	20,352 LB
9105H	104.9 IN	60.6 IN	21,090 LB

ABOVE WEIGHTS AND CENTERS OF GRAVITY DO NOT INCLUDE RESERVOIR, RSOD, JIB, PTO, PUMP, BED, SFO



NOTE: ALL DIMENSIONS ARE IN INCHES [mm] UNLESS