



TRANSPORTATION SPECS - Carry Decks

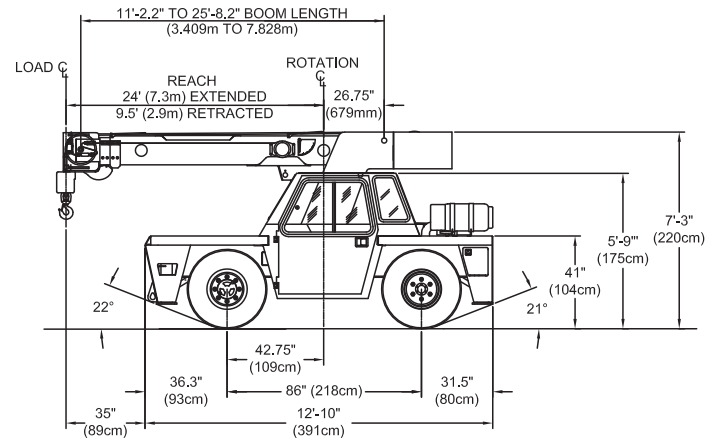
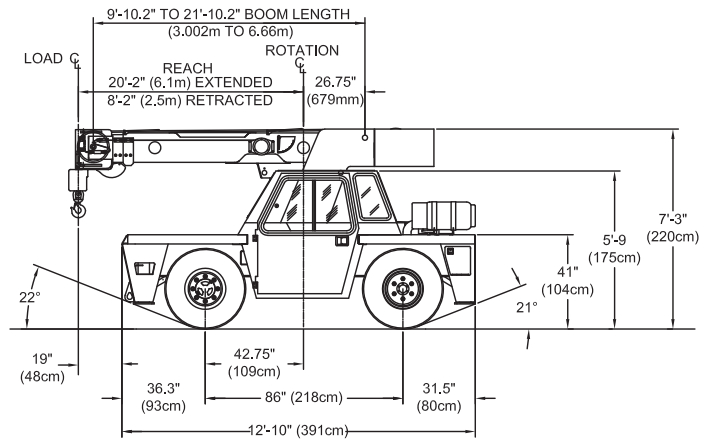
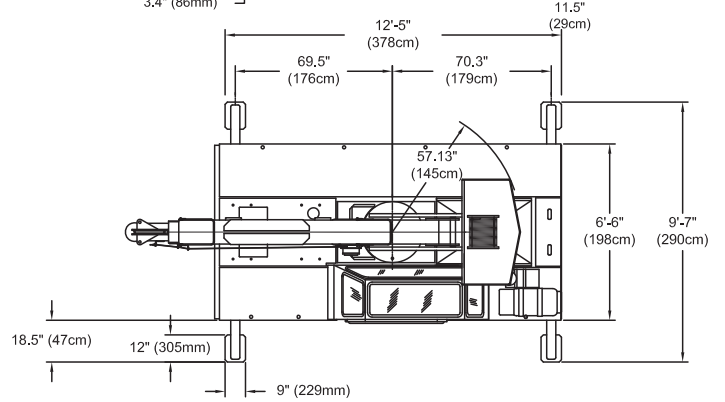
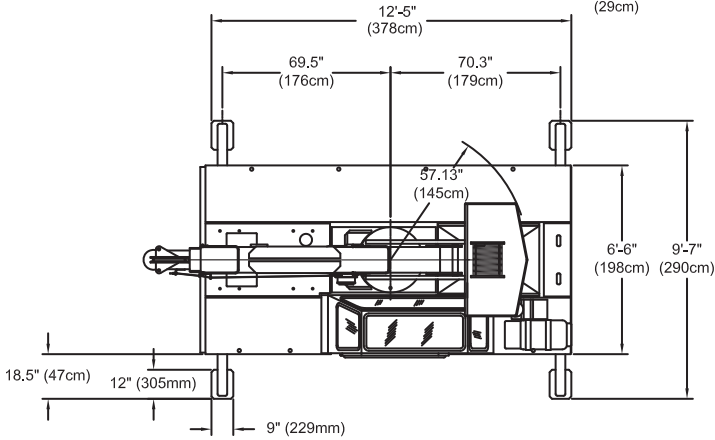
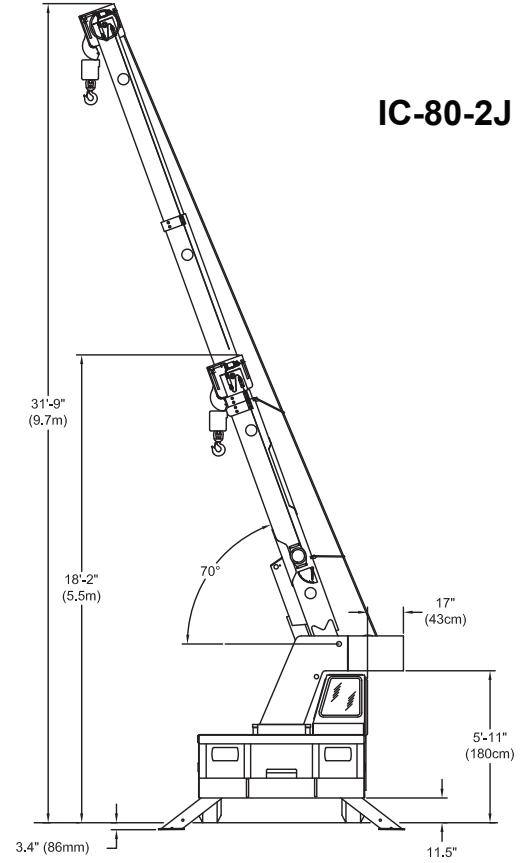
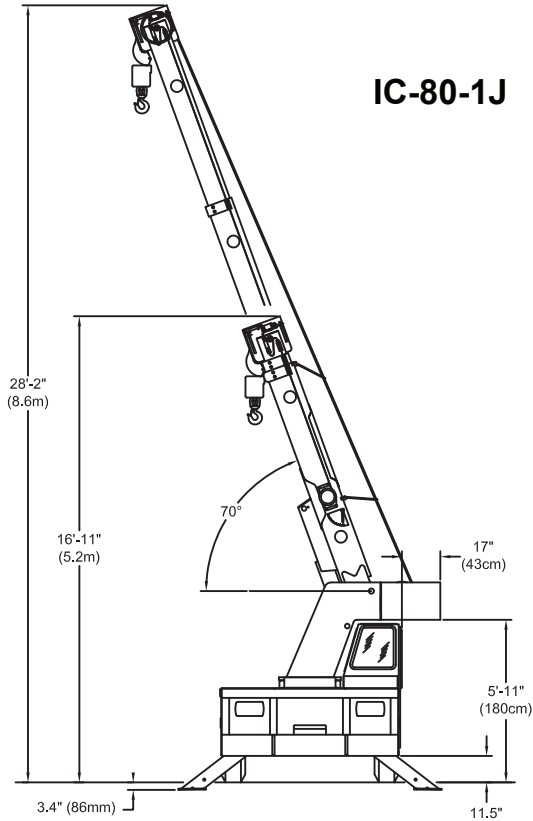
BRODERSON MODEL IC-80-1J/2J/3J - 9 TON CAPACITY

<u>COMPONENT WEIGHTS</u>		<u>LBS.</u>	<u>KGS.</u>
Complete Crane 1J (incl. block, ball & jib)	(1)	16,200	7,350
Complete Crane 2J (incl. block, ball & jib)	(2)	16,400	7,440
Complete Crane 3J (incl. block, ball & jib)	(3)	16,750	7,600
<u>ADDITIONAL INFORMATION</u>			
10 Ton Block		124	57
5 Ton Ball		90	41
10' No offset Jib		300	136
10' Offsettable Jib		350	159
Main Load Line (9/16" x 125')			
<u>TRANSPORTATION</u>			
<u>Alberta, British Columbia and Saskatchewan</u>		<u>Weight</u>	<u>Trailer</u>
<input type="checkbox"/> All Seasons		(1), (2), OR (3)	LTL

STERLING CRANE

IC-80-1J

IC-80-2J



STERLING CRANE

IC-80-3J

