

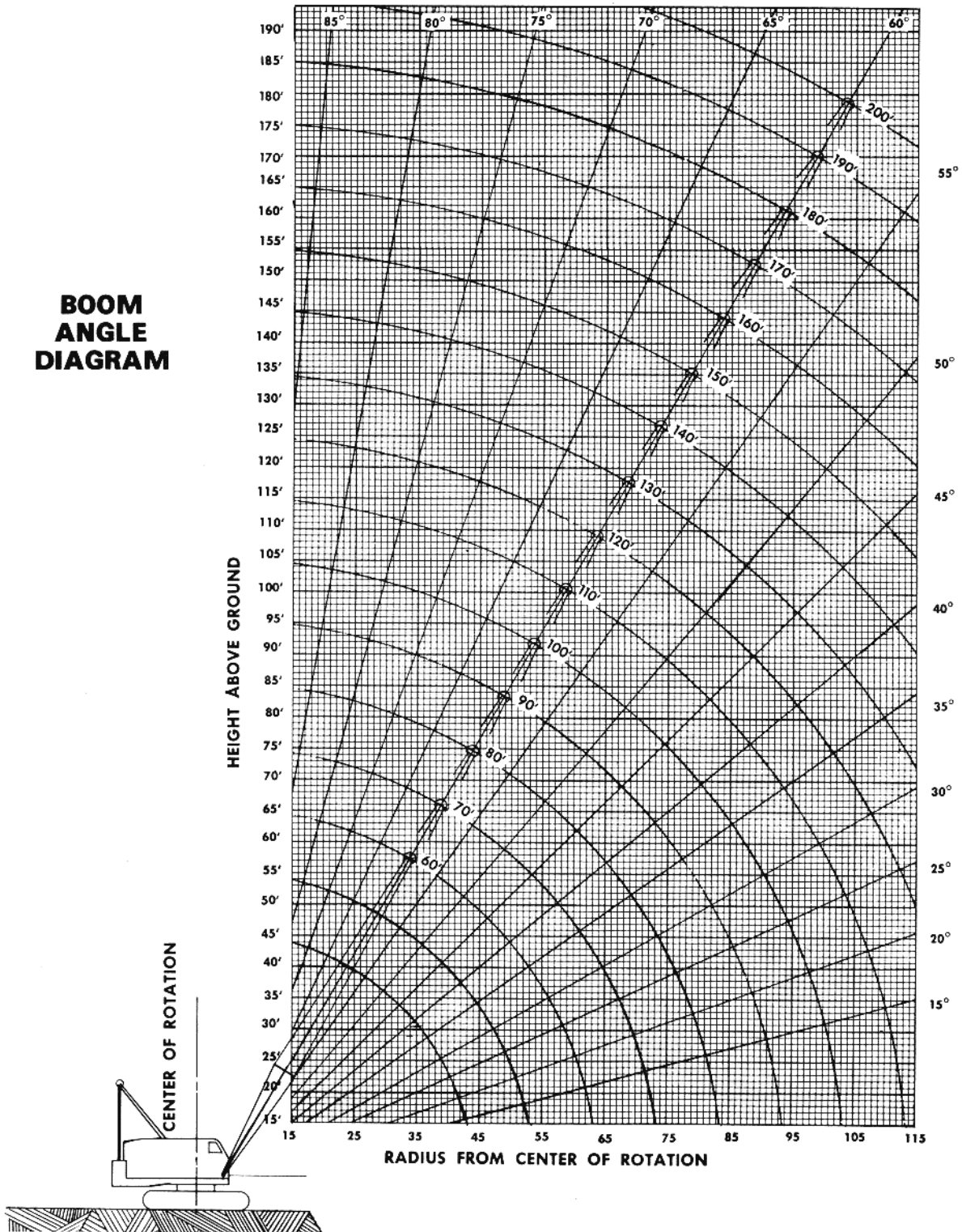


LIFTING CHARTS - Crawler Cranes

AMERICAN MODEL 7250 - 60 TON CAPACITY

MODEL 7250 WORKING RANGES

**BOOM
ANGLE
DIAGRAM**



STERLING CRANE

LIFT RATINGS

With 59S Tubular Hammerhead Boom and "K-F-L-M" Counterweight (34,000 Lbs.)

Boom Length (Feet)	Radius In Feet	Boom Angle Degrees	Side Frames Retracted	Side Frames Extended	Ft. From Boom Point	Min. Load Line
40 feet	11	82.8	-	120000	46	6
	12	81.3	-	120000	46	6
	15	77.0	-	106950	45	6
	20	69.6	-	67600	44	4
	25	61.7	-	48970	41	3
	30	53.1	29480	38090	38	2
	35	43.3	24130	30950	33	2
50 feet	40	30.9	20260	25890	26	2
	13	81.9	-	120000	56	6
	15	79.6	-	107120	55	6
	20	73.8	-	67690	54	4
	25	67.7	-	49020	52	3
	30	61.3	29500	38130	50	2
	35	54.5	24150	30990	47	2
60 feet	40	47.0	20290	25930	42	2
	50	27.4	15070	19230	29	1
	14	82.3	-	120000	66	6
	15	81.3	-	107200	65	6
	20	76.5	-	67700	64	4
	25	71.6	-	49010	63	3
	30	66.5	29440	38110	61	2
70 feet	35	61.1	24100	30960	59	2
	40	55.5	20240	25900	55	2
	50	42.6	15040	19220	46	1
	60	24.8	11670	14970	31	1
	15	82.6	-	107240	75	6
	20	78.5	-	67680	75	4
	25	74.3	-	48960	73	3
80 feet	30	70.0	29350	38040	72	2
	35	65.6	24000	30880	70	2
	40	61.0	20150	25820	67	2
	50	51.0	14950	19140	60	1
	60	39.3	11600	14910	50	1
	70	22.9	9240	11970	33	1
	90 feet	16	82.8	-	96170	85
20		79.9	-	67650	85	4
25		76.3	-	48910	84	3
30		72.6	29270	37980	82	2
35		68.8	23920	30810	81	2
40		64.9	20060	25750	78	2
50		56.6	14870	19070	73	1
60		47.5	11520	14840	65	1
90 feet	70	36.6	9180	11920	53	1
	80	21.3	7430	9760	35	1
	17	83.0	-	87060	95	5
	20	81.0	-	67590	95	4
	25	77.8	37100	48820	94	3
	30	74.5	29150	37870	93	2
90 feet	35	71.2	23790	30700	91	2
	40	67.8	19930	25630	89	2

Boom Length (Feet)	Radius In Feet	Boom Angle Degrees	Side Frames Retracted	Side Frames Extended	Ft. From Boom Point	Min. Load Line
90 feet (cont.)	50	60.7	14730	18950	85	1
	60	53.1	11390	14720	78	1
	70	44.6	9060	11800	69	1
	80	34.4	7320	9660	57	1
	90	20.0	5970	8000	36	1
100 feet	19	82.5	-	73020	105	4
	20	81.9	-	67520	105	4
	25	79.0	36970	48720	104	3
	30	76.1	29010	37760	103	2
	35	73.2	23650	30580	102	2
	40	70.1	19780	25500	100	2
	50	63.9	14590	18810	96	1
	60	57.3	11250	14580	90	1
	70	50.2	8910	11670	83	1
	80	42.1	7190	9530	73	1
110 feet	90	32.5	5850	7890	60	1
	100	18.9	4770	6580	38	1
	20	82.7	-	67440	115	4
	25	80.0	36840	48610	114	3
	30	77.4	28870	37640	113	2
	35	74.7	23500	30440	112	2
	40	72.0	19630	25360	111	2
	50	66.4	14430	18660	107	1
	60	60.6	11090	14440	102	1
	70	54.4	8760	11520	95	1
120 feet	80	47.7	7040	9390	87	1
	90	40.1	5710	7750	77	1
	100	31.0	4640	6450	62	1
	110	18.0	3760	5380	40	1
	21	82.8	-	62600	125	4
	25	80.9	36730	48520	125	3
	30	78.5	28750	37530	124	2
	35	76.0	23370	30320	123	2
	40	73.5	19500	25240	121	2
	50	68.5	14290	18530	118	1
130 feet	60	63.3	10950	14300	113	1
	70	57.8	8620	11390	107	1
	80	51.9	6900	9250	100	1
	90	45.5	5570	7620	91	1
	100	38.3	4510	6330	80	1
	110	29.6	3650	5270	65	1
	120	17.2	2910	4380	41	1
	22	82.9	43560	58320	135	4
	25	81.6	36590	48410	135	3
	30	79.4	28600	37400	134	2
35	77.1	23220	30190	133	2	
40	74.8	19340	25090	132	2	
50	70.2	14130	18380	128	1	
60	65.5	10790	14140	124	1	
70	60.5	8450	11230	119	1	

STERLING CRANE

With 59S Tubular Hammerhead Boom and "K-F-L-M" Counterweight (34,000 Lbs.)

Boom Length (Feet)	Radius In Feet	Boom Angle Degrees	Side Frames Extended	Side Frames Retracted	Ft. From Boom Point	Min. Load Line
130 feet (cont.)	80	55.3	6730	9090	113	1
	90	49.7	5410	7460	105	1
	100	43.6	4350	6170	96	1
	110	36.7	3490	5120	83	1
	120	28.4	2770	4240	67	1
	130	16.5	2150	3380	42	1
140 feet	24	82.6	38540	51230	145	3
	25	82.2	36450	48290	145	3
	30	80.1	28450	37270	144	2
	35	78.0	23060	30040	143	2
	40	75.9	19180	24940	142	2
	50	71.7	13960	18220	139	1
	60	67.3	10610	13980	135	1
	70	62.8	8280	11060	131	1
	80	58.1	6560	8930	125	1
	90	53.1	5240	7290	118	1
	100	47.8	4180	6010	110	1
110	41.9	3330	4960	99	1	

Boom Length (Feet)	Radius In Feet	Boom Angle Degrees	Side Frames Retracted	Side Frames Extended	Ft. From Boom Point	Min. Load Line
140 feet (cont.)	120	35.3	2610	4030	87	1
	130	27.3	2000	3180	70	1
	140	15.9	1470	2440	44	1
150 feet	25	82.7	36310	48180	155	3
	30	80.8	28300	37130	154	2
	35	78.8	22900	29900	153	2
	40	76.9	19010	24790	152	2
	50	72.9	13790	18060	149	1
	60	68.9	10440	13820	146	1
	70	64.8	8110	10890	142	1
	80	60.4	6390	8760	136	1
	90	55.9	5060	7120	130	1
	100	51.2	4010	5840	123	1
	110	46.1	3150	4790	114	1
	120	40.4	2440	3810	103	1
	130	34.1	1830	2970	90	1
	140	26.3	1310	2240	72	1
150	15.3	-	1600	45	1	

LIFT RATINGS

With 59S Tubular Tapered Tip Boom and "K-F-L-M" Counterweight (34,000 Lbs.)

Boom Length (Feet)	Radius In Feet	Boom Angle Degrees	Side Frames Retracted	Side Frames Extended	Ft. From Boom Point	Min. Load Line
60 feet	14	80.5	-	120000	65	6
	15	79.6	-	107250	64	6
	20	74.7	-	68000	63	4
	25	69.6	-	49430	62	3
	30	64.5	-	38600	59	2
	35	59.0	24640	31490	57	2
	40	53.3	20820	26480	53	2
70 feet	50	40.1	15670	19850	44	1
	60	21.4	12350	15650	27	1
	16	80.2	-	96230	74	6
	20	76.9	-	67940	74	4
	25	72.6	-	49340	72	3
	30	68.3	-	38500	70	2
	35	63.8	24520	31390	68	2
80 feet	40	59.2	20700	26370	65	2
	50	49.1	15550	19740	58	1
	60	37.0	12240	15550	47	1
	70	19.8	9920	12650	29	1
	17	80.7	-	87160	84	5
	20	78.6	-	67850	84	4
	25	74.9	-	49240	83	3
90 feet	30	71.1	29690	38380	81	2
	35	67.3	24380	31270	79	2
	40	63.4	20560	26240	77	2
	50	55.0	15410	19610	71	1
	60	45.7	12100	15420	63	1
	70	34.6	9790	12530	51	1
	80	18.5	8070	10400	31	1
	90 feet	19	80.5	-	73200	94
20		79.8	-	67750	94	4
25		76.6	-	49120	93	3
30		73.3	29540	38250	92	2
35		69.9	24230	31130	90	2
40		66.5	20400	26100	88	2

Boom Length (Feet)	Radius In Feet	Boom Angle Degrees	Side Frames Retracted	Side Frames Extended	Ft. From Boom Point	Min. Load Line
90 feet (cont.)	50	59.4	15260	19470	83	1
	60	51.6	11950	15280	76	1
	70	43.0	9640	12390	67	1
	80	32.5	7930	10270	54	1
	90	17.4	6610	8640	32	1
100 feet	20	80.9	-	67670	104	4
	25	78.0	-	49010	103	3
	30	75.0	29410	38130	102	2
	35	72.0	24090	31010	100	2
	40	69.0	20270	25980	99	2
	50	62.7	15120	19340	94	1
	60	56.0	11810	15150	88	1
	70	48.8	9510	12260	81	1
	80	40.6	7800	10150	70	1
	90	30.8	6490	8530	57	1
100	16.5	5430	7240	34	1	
110 feet	22	80.6	-	58680	114	4
	25	79.1	37140	48880	113	3
	30	76.4	29250	37990	112	2
	35	73.7	23930	30860	111	2
	40	71.0	20100	25820	109	2
	50	65.4	14950	19180	105	1
	60	59.5	11640	14990	100	1
	70	53.2	9340	12100	93	1
	80	46.4	7640	9990	85	1
	90	38.7	6330	8370	74	1
	100	29.4	5280	7090	59	1
110	15.7	4420	6040	35	1	
120 feet	23	81.0	-	54900	124	3
	25	80.0	36980	48740	124	3
	30	77.5	29080	37840	123	2
	35	75.1	23760	30700	121	2
	40	72.6	19920	25660	120	2
	50	67.5	14770	19010	116	1

STERLING CRANE

With 59S Tubular Tapered Tip Boom and "K-F-L-M" Counterweight (34,000 Lbs.)

Boom Length (Feet)	Radius In Feet	Boom Angle Degrees	Side Frames Retracted	Side Frames Extended	Ft. From Boom Point	Min. Load Line
120 feet (cont.)	60	62.2	11470	14820	112	1
	70	56.7	9160	11930	106	1
	80	50.8	7460	9820	98	1
	90	44.3	6150	8200	89	1
	100	37.0	5110	6930	77	1
	110	28.1	4260	5890	62	1
	120	15.1	3550	5020	37	1
130 feet	25	80.8	36810	48600	134	3
	30	78.5	28910	37690	133	2
	35	76.3	23580	30540	132	2
	40	74.0	19750	25490	130	2
	50	69.3	14590	18840	127	1
	60	64.5	11290	14640	123	1
	70	59.6	8980	11760	117	1
	80	54.3	7280	9640	111	1
	90	48.7	5980	8030	103	1
	100	42.5	4940	6750	93	1
	110	35.5	4090	5720	81	1
120	27.0	3380	4860	64	1	
130	14.5	2780	4130	38	1	
140 feet	27	80.6	33080	43480	143	3
	30	79.3	28750	37550	143	2
	35	77.3	23420	30390	142	2
	40	75.2	19590	25340	141	2
	50	70.9	14430	18680	138	1
	60	66.5	11120	14490	134	1
	70	61.9	8820	11600	129	1
	80	57.2	7120	9480	123	1
	90	52.2	5810	7870	116	1
	100	46.8	4780	6600	107	1
	110	40.9	3930	5560	97	1
	120	34.1	3230	4710	84	1
	130	26.0	2630	3980	67	1
	140	13.9	2110	3290	39	1
150 feet	28	80.8	31350	41170	153	3
	30	80.1	28580	37390	153	2
	35	78.1	23250	30230	152	2
	40	76.2	19410	25180	151	2
	50	72.2	14250	18510	148	1
	60	68.1	10940	14310	145	1
	70	63.9	8640	11420	140	1
	80	59.6	6940	9300	135	1
	90	55.1	5630	7690	128	1
	100	50.3	4590	6420	121	1
	110	45.1	3750	5380	112	1
	120	39.4	3050	4530	101	1
	130	32.9	2450	3780	87	1
	140	25.1	1940	3070	69	1
	150	13.5	1490	2440	40	1
160 feet	30	80.7	28410	37240	163	2
	35	78.9	23070	30070	162	2
	40	77.0	19230	25010	161	2
	50	73.3	14060	18330	159	1
	60	69.6	10750	14130	155	1
	70	65.7	8450	11240	151	1
	80	61.7	6750	9120	146	1
	90	57.5	5440	7510	140	1
	100	53.2	4410	6230	133	1
	110	48.6	3560	5200	125	1
	120	43.6	2860	4350	116	1
	130	38.1	2270	3540	104	1
	140	31.9	1760	2840	90	1
	150	24.3	1320	2220	71	1
	160	13.0	-	1670	41	1

Boom Length (Feet)	Radius In Feet	Boom Angle Degrees	Side Frames Retracted	Side Frames Extended	Ft. From Boom Point	Min. Load Line
170 feet	31	80.9	27000	35410	173	2
	35	79.5	22890	29900	173	2
	40	77.8	19040	24840	172	2
	50	74.3	13880	18160	169	1
	60	70.8	10570	13950	166	1
	70	67.2	8260	11050	162	1
	80	63.5	6560	8940	157	1
	90	59.7	5250	7320	152	1
	100	55.7	4220	6050	146	1
	110	51.5	3380	5020	138	1
	120	47.0	2680	4120	130	1
	130	42.2	2090	3300	120	1
	140	36.9	1580	2600	107	1
	150	30.9	1140	1980	93	1
	160	23.5	-	-	73	1
	170	12.6	-	-	43	1
	180 feet	33	80.8	24640	32300	183
35		80.1	22720	29750	183	2
40		78.5	18880	24680	182	2
50		75.2	13710	17990	179	1
60		71.9	10390	13780	176	1
70		68.5	8080	10880	173	1
80		65.1	6380	8770	169	1
90		61.5	5080	7150	164	1
100		57.8	4040	5880	158	1
110		54.0	3200	4850	151	1
120		49.9	2500	3900	143	1
130		45.6	1910	3080	134	1
140		41.0	1410	2370	123	1
150		35.9	-	1760	111	1
160	30.0	-	-	95	1	
170	22.8	-	-	75	1	
180	12.3	-	-	44	1	
190 feet	34	81.0	23470	30810	193	2
	35	80.6	22540	29580	193	2
	40	79.1	18690	24510	192	2
	50	76.0	13520	17810	190	1
	60	72.9	10200	13600	187	1
	70	69.7	7890	10700	184	1
	80	66.5	6190	8580	180	1
	90	63.1	4890	6960	175	1
	100	59.7	3850	5690	169	1
	110	56.1	3010	4630	163	1
	120	52.4	2310	3650	156	1
	130	48.5	1720	2830	148	1
	140	44.3	1220	2130	138	1
	150	39.8	-	-	127	1
	160	34.9	-	-	114	1
	170	29.2	-	-	98	1
180	22.2	-	-	77	1	
200 feet	36	80.8	21500	28260	203	2
	40	79.1	18510	24330	202	2
	50	76.7	13330	17640	200	1
	60	73.8	10010	13420	197	1
	70	70.8	7700	10510	194	1
	80	67.7	6000	8390	190	1
	90	64.6	4690	6780	186	1
	100	61.4	3660	5500	181	1
	110	58.0	2820	4380	175	1
	120	54.6	2120	3400	168	1
	130	51.0	1530	2580	161	1
	140	47.2	-	1880	152	1
	150	43.2	-	-	142	1
	160	38.8	-	-	131	1
	170	34.0	-	-	117	1

STERLING CRANE

CRANE RATING DATA

Load ratings are in pounds and do not exceed 75% of tipping with crane standing level on firm uniformly supporting surface. Safe loads depend on ground conditions, boom length, radius of operation, and proper handling, all of which must be taken into consideration by user. Retractable A-frame must be fully raised position for all ratings. Blocks, slings, buckets, and other load carrying devices are considered part of the load. Lifting is approved only in those areas for which ratings are shown in the rating chart. Ratings in bold text are based on structural limitations rather than stability. "Radius in feet" is the horizontal distance at crane base level from center pin to a vertical line through the center of gravity of the suspended load. Boom suspension line is 3/4 inch diameter with minimum breaking strength of 58,800 lbs. Boom suspension pendants are 1-3/8 inch diameter with minimum breaking strength of 208,000 lbs.

Designed and rated to comply with ANSI Code B30.5.

LOAD HOISTING DATA*

Maximum Lifting Capacity - Lbs.	Minimum Pts. of Line	Maximum Hoisting Distance	
		Main - R.H.	Auxiliary - L.H.
120,000	6	132'	83'
113,000	5	159'	99'
90,500	4	199'	124'
68,000	3	265'	166'
45,000	2	398'	249'
22,500	1	797'	499'

*With controlled load lowering on one drum. Main load line 7/8 inch diameter with minimum breaking strength of 79,600 lbs.

BOOM AND JIB ERECTION*

Boom Length	Maximum Jib Length	
	No. 9	No. 9HL
200' Tapered Tip	0'	0'
190' Tapered Tip	0'	0'
180' Tapered Tip	20'	0'
170' Tapered Tip	40'	60'
160' Tapered Tip	50'	60'
150' Hammerhead	50'	60'

*Self-Erection over the rear with "K-F-L-M" counterweight.

59S Hammerhead Boom Composition

Boom Length in Feet	20 Ft. 59H Inner	10 Ft. 59S Center	20 Ft. 59S Center	40 Ft. 59S Center	20 Ft. 59SH Outer Base	Hammerhead
40	1	-	-	-	1	1
50	1	1	-	-	1	1
60	1	-	1	-	1	1
70	1	1	1	-	1	1
80	1	-	-	1	1	1
90	1	1	-	1	1	1
100	1	-	1	1	1	1
110	1	1	1	1	1	1
120	1	-	-	2	1	1
130	1	1	-	2	1	1
140	1	-	1	2	1	1
150	1	1	1	2	1	1

59S Tapered Tip Boom Composition

Boom Length in Feet	20 Ft. 59H Inner	10 Ft. 59S Center	20 Ft. 59S Center	40 Ft. 59S Center	20 Ft. 59SH Outer Base	20 Ft. 59SH Tapered Tip
60	1	-	-	-	1	1
70	1	1	-	-	1	1
80	1	-	1	-	1	1
90	1	1	1	-	1	1
100	1	-	-	1	1	1
110	1	1	-	1	1	1
120	1	-	1	1	1	1
130	1	1	1	1	1	1
140	1	-	-	2	1	1
150	1	1	-	2	1	1
160	1	-	1	2	1	1
170	1	1	1	2	1	1
180	1	-	-	3	1	1
190	1	1	-	3	1	1
200	1	-	1	3	1	1

PERFORMANCE

TRAVEL SPEED	0.9 MPH
HYDROSTATIC SWING	0 to 3.2 RPM
FRICITION SWING	3 RPM
SINGLE LINE SPEED :	
Crane Hoist	166 FPM
Dragline	157 FPM
Magnet	200 FPM
Third Drum (Standard Travel)	185 FPM
Third Drum (Independent Travel)	127 FPM
SINGLE LINE PULL:	
Crane Hoist	29,600 lbs. SLP
Dragline	31,400 lbs. SLP
Magnet	24,800 lbs. SLP
Third Drum	25,500 lbs. SLP

Performance figures are based on machine equipped with standard engine.

NOTE: In accordance with varying material situations and the Company's policy of constant product improvement these specifications subject to change without notice and without incurring responsibility to units previously sold.

WEIGHTS

7250 lifting crane with "K-F-L-M" counterweight and basic 40 ft.

59S hammerhead boom.

33" shoes	38" shoes	44" shoes
131,380 lbs.	136,065 lbs.	136,395 lbs.

"K-F-L-M" counterweight

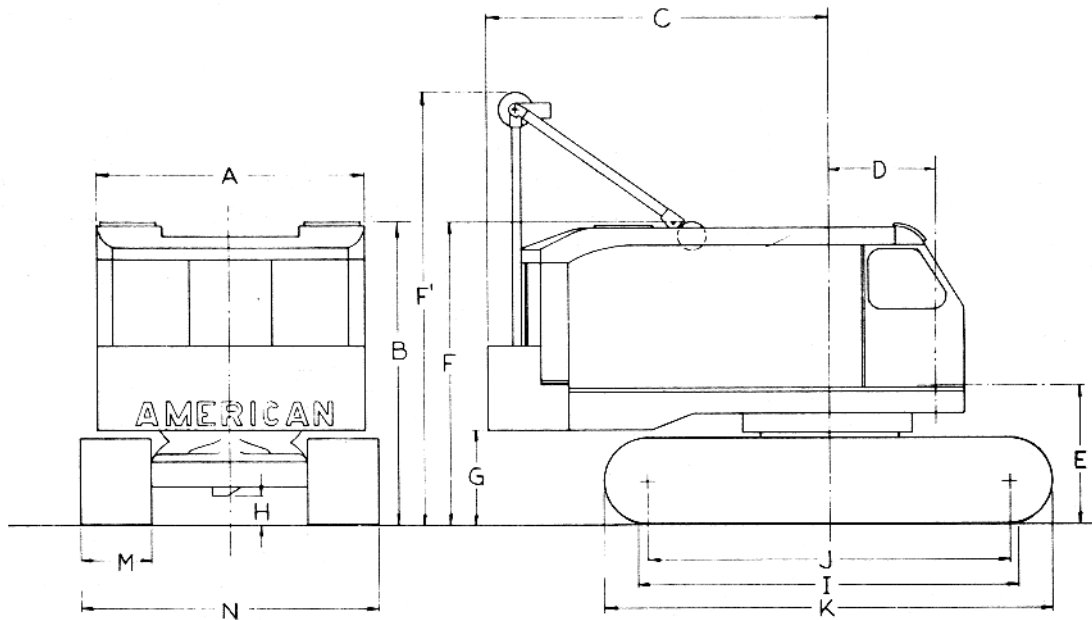
Crane block	34,000 lbs.
Crane boom outer	1,490 lbs.
Crane boom inner	1,600 lbs.
Hammerhead tip	1,620 lbs.
Telescopic boom stops	2,520 lbs.
Crawler side frame w/33" shoes (2)	350 lbs.
Crawler axles (2)	32,000 lbs.
Axle extensions (4)	5,800 lbs.
Torque tubes (2)	1,200 lbs.
Crawler carbody	800 lbs.
	9,500 lbs.

GROUND PRESSURES:

Lifting crane with 40 ft. basic boom and "K-F-L-M" counterweight:

33" shoes	38" shoes	44" shoes
10.9 PSI	9.8 PSI	8.5 PSI

STERLING CRANE



DIMENSIONS

A	Width of cab	10' 6"
B	Height over cab	11' 8"
C	Tailswing	13' 7"
D	Center of pivot to center of crane boom foot	4' 1-1/2"
E	Ground to center of crane boom foot	5' 4"
F	Height over A-frame in retracted position	12' 0"
F1	Height over A-frame in raised position	20' 5"
G	Ground to bottom of counterweight	3' 9"
H	Minimum ground clearance under crawler base	13"
I	Crawler bearing length	15' 2"
J	Center to center crawler tumblers	14' 0"
K	Overall length of crawlers	17' 6"
M	Width of tread shoes (Standard)	33"
M1	Width of tread shoes (Optional)	38" or 44"
N	Overall width over crawlers 33" shoes (Extended)	14' 4"
N	Overall width over crawlers 33" shoes (Retracted)	11' 0"
N1	Overall width over crawlers 38" shoes (Extended)	14' 9"
N1	Overall width over crawlers 38" shoes (Retracted)	11' 5"
N2	Overall width over crawlers 44" shoes (Extended)	15' 3"