

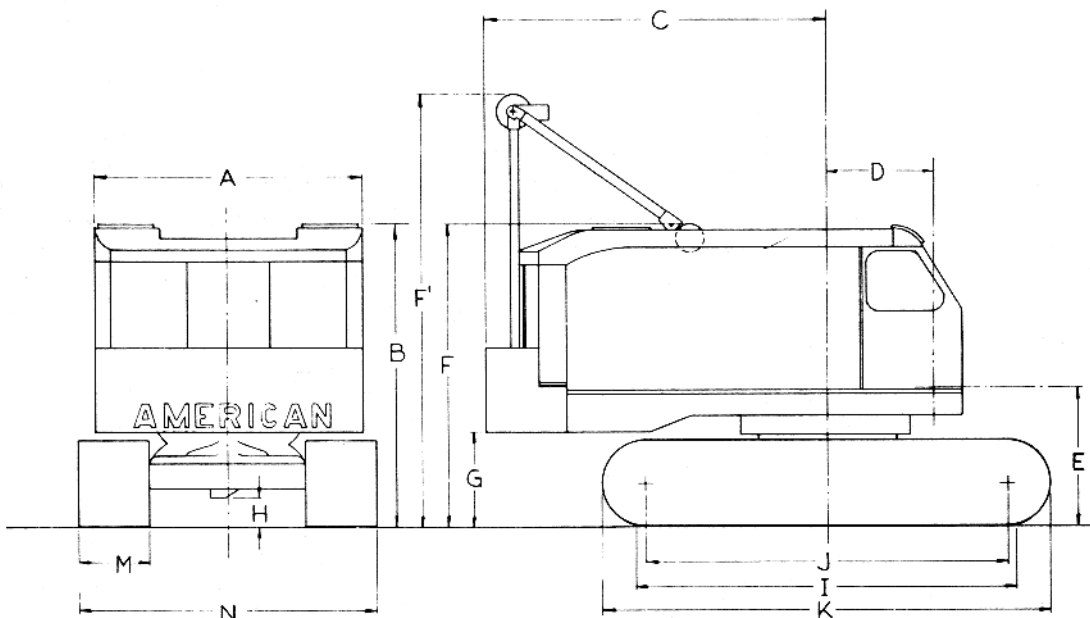


TRANSPORTATION SPECS - Crawler Cranes

AMERICAN MODEL 7250 - 60 TON CAPACITY

<u>COMPONENT WEIGHTS</u>	<u>LBS.</u>	<u>KGS.</u>	<u>BOOM TYPE 59S</u>	<u>LBS.</u>	<u>KGS.</u>
Complete Crane c/w 40' HH Boom (incl. Block & ball)	143,750	65 223	OD (tubular) 59½ x 59½		
			<u>HAMMERHEAD – 40' MIN / 150' MAX</u>		
Crane c/w tracks & butt (1)	105,000	47 641	Butt 20'	2,400	1 089
House, carbody, butt, gantry & cable (2)	72,000	32 668	Transition 20' c/w pendants & HH	2,800	1 270
Counterweight Type P-P	34,000	15 426			
			<u>TAPERED TIP 60' MIN / 200' MAX</u>		
Track –33" shoes (2) each	16,500	7 487	Butt 20'	2,400	1 089
			Transition 20' c/w pendants	1,430	649
			Tapered tip 20' c/w pendants	2,205	1 000
<u>ADDITIONAL INFORMATION</u>			Insert 10' c/w pendants	950	431
75 Ton Block	1,300	590	Insert 20' c/w pendants	1,700	772
15 Ton Ball	650	295	Insert 40' c/w pendants (See boom & jib section for composition details)	2,950	1 339
Carbody	10,000	4 537			
Axles (2) each	2,900	1 316	<u>JIB NO. 9HL 60' MAX</u> (10' & 20' Sections)		
Axle extensions (4) each	300	136			
Main Load Line (7/8" x 750')	1,065	484	OD (tubular) 27¾ x 27¾		
Auxiliary Hoist Line (7/8" x 500')	710	323	60' c/w pendants	2,100	953
Boom Susp. Line (3/4" x 400')	416	189			
			<u>COUNTERWEIGHT</u>		
<u>Alberta and Saskatchewan</u>	<u>Weight</u>	<u>Trailer</u>	Main	34,000	15 427
• Spring	(1)	48WH			
	(2)	24WH			
• Summer	(1)	32WH			
	(2)	16WH			
• Winter	(1)	24WH			
	(2)	16WH			
<u>British Columbia</u>					
• Spring	(2)	7-Axle			
• Summer & Winter	(2)	3-Axle			
* Boom and cwt are normally removed and hauled separately. Boom may be hauled 2 wide and 2 high.					
* Normally hauled with tracks retracted – width 11'-0".					
* Loaded sideways – width 17'-6".					

STERLING CRANE



DIMENSIONS

A	Width of cab	10' 6"
B	Height over cab	11' 8"
C	Tailswing	13' 7"
D	Center of pivot to center of crane boom foot	4' 1-1/2"
E	Ground to center of crane boom foot	5' 4"
F	Height over A-frame in retracted position	12' 0"
F1	Height over A-frame in raised position	20' 5"
G	Ground to bottom of counterweight	3' 9"
H	Minimum ground clearance under crawler base	13"
I	Crawler bearing length	15' 2"
J	Center to center crawler tumblers	14' 0"
K	Overall length of crawlers	17' 6"
M	Width of tread shoes (Standard)	33"
M1	Width of tread shoes (Optional)	38" or 44"
N	Overall width over crawlers 33" shoes (Extended)	14' 4"
N	Overall width over crawlers 33" shoes (Retracted)	11' 0"
N1	Overall width over crawlers 38" shoes (Extended)	14' 9"
N1	Overall width over crawlers 38" shoes (Retracted)	11' 5"
N2	Overall width over crawlers 44" shoes (Extended)	15' 3"

STERLING CRANE

AMERICAN 59S TAPERED TIP BOOM COMPOSITION

Boom Length In Feet	20 Ft. 59H Inner	10 Ft. 59S Center	20 Ft. 59S Center	40 Ft. 59S Center	20 Ft. 59S Outer Base	20 Ft. 59SH Tapered Tip
60	1	-	-	-	1	1
70	1	1	-	-	1	1
80	1	-	1	-	1	1
90	1	1	1	-	1	1
100	1	-	-	1	1	1
110	1	1	-	1	1	1
120	1	-	1	1	1	1
130	1	1	1	1	1	1
140	1	-	-	2	1	1
150	1	1	-	2	1	1
160	1	-	1	2	1	1
170	1	1	1	2	1	1
180	1	-	-	3	1	1
190	1	1	-	3	1	1
200	1	-	1	3	1	1

STERLING CRANE

AMERICAN 59S HAMMERHEAD BOOM COMPOSITION

Boom Length In Feet	20 Ft. 59H Inner	10 Ft. 59S Center	20 Ft. 59S Center	40 Ft. 59S Center	20 Ft. 59S Outer Base	Hammer-Head
40	1	-	-	-	1	1
50	1	1	-	-	1	1
60	1	-	1	-	1	1
70	1	1	1	-	1	1
80	1	-	-	1	1	1
90	1	1	-	1	1	1
100	1	-	1	1	1	1
110	1	1	1	1	1	1
120	1	-	-	2	1	1
130	1	1	-	2	1	1
140	1	-	1	2	1	1
150	1	1	1	2	1	1

STERLING CRANE

AMERICAN 59H TUBULAR TAPERED TIP BOOM COMPOSITION

Boom Length In Feet	20 Ft. 59SH Inner	10 Ft. 59H Center	20 Ft. 59H Center	40 Ft. 59H Center	20 Ft. 59H Outer Base	20 Ft. 59SH Tapered Tip
60	1	-	-	-	1	1
70	1	1	-	-	1	1
80	1	-	1	-	1	1
90	1	1	1	-	1	1
100	1	-	-	1	1	1
110	1	1	-	1	1	1
120	1	-	1	1	1	1
130	1	1	1	1	1	1
140	1	-	-	2	1	1
150	1	1	-	2	1	1
160	1	-	1	2	1	1
170	1	1	1	2	1	1
180	1	-	-	3	1	1
190	1	1	-	3	1	1
200	1	-	1	3	1	1

STERLING CRANE

AMERICAN 59H TUBULAR HAMMERHEAD BOOM COMPOSITION

Boom Length In Feet	20 Ft. 59SH Inner	10 Ft. 59H Center	20 Ft. 59H Center	40 Ft. 59H Center	20 Ft. 59H Outer Base	Hammer-Head
40	1	-	-	-	1	1
50	1	1	-	-	1	1
60	1	-	1	-	1	1
70	1	1	1	-	1	1
80	1	-	-	1	1	1
90	1	1	-	1	1	1
100	1	-	1	1	1	1
110	1	1	1	1	1	1
120	1	-	-	2	1	1
130	1	1	-	2	1	1
140	1	-	1	2	1	1
150	1	1	1	2	1	1

Hammerhead Tip Offset 1.75'

STERLING CRANE

AMERICAN BOOM – SECTION WEIGHTS

Boom Sections c/w Pendants	47" S Tubular		59" S & H Tubular		77" S & H Tubular		92" HT & HD Tubular	
	LBS.	KGS.	LBS.	KGS.	LBS.	KGS.	LBS.	KGS.
Butt (Inner)	1,819	825	2,403	1 090	4,409	2 000	8,488	3 850
10 Foot	706	320	948	430	1,422	645	1,808	820
20 Foot	1,235	560	1,713	777	2,447	1 110	3,550	1 610
30 Foot	1,885	855						
40 Foot			2,921	1 325				
50 Foot					5,457	2 475	5,953	2 700
50 Foot XHD							7,297	3 310
Transition			1,433	650	2,999	1 360		
Taper Tip	2,095	950	2,205	1 000	3,417	1 550	11,133	5 050
Hammerhead			2,800	1 270	6,041	2 740		
Load Block			1,488	675 (60T)				

JIB SECTIONS		LBS.	KGS.
#7HL	30 Foot Basic Jib Assembly	1,259	570
	10' Section	199	90
	20' Section	386	175
#9HL	40 Foot Basic Jib Assembly	1,720	780
	10' Section	199	90
	20' Section	386	175
#15	30 Foot Basic Jib Assembly	1,951	885
	10' Section	298	135
#16HL	40 Foot Basic Jib Assembly	2,624	1 190
	10' Section	243	110
	20' Section	518	235
#30	25 Foot Basic Jib Assembly	TBD	TBD
	10' Section	TBD	TBD