

STERLING CRANE



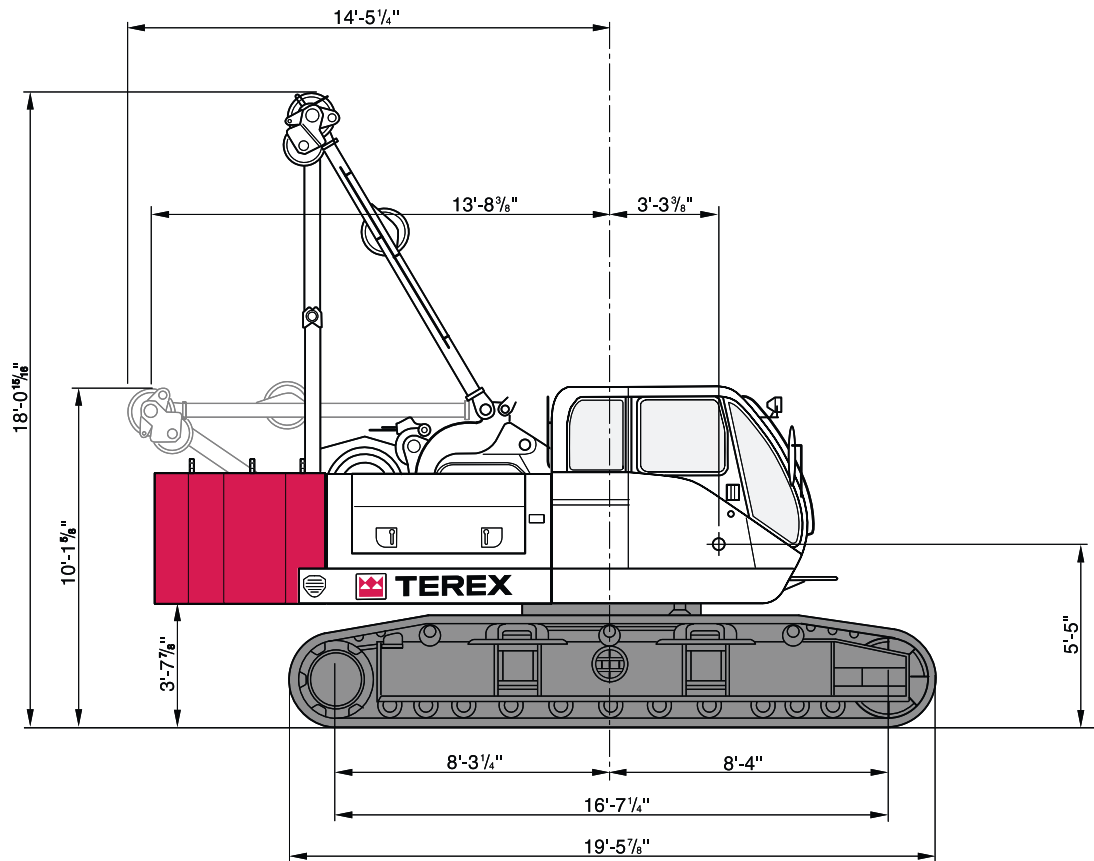
TRANSPORTATION SPECS - Crawler Cranes

TEREX MODEL HC 80 - 80 TON CAPACITY

<u>COMPONENT WEIGHTS</u>	<u>LBS.</u>	<u>KGS.</u>	<u>BOOM 40' – 170'</u>	<u>LBS.</u>	<u>KGS.</u>
Complete Crane c/w 40', full cwt & block	128,175	58 140	Tubular 47" W x 47" H		
House, Carbody, Tracks & Boom Butt 34'5" x 15'9" x 10'2"	88,000	39 917	Boom Butt 20'	2,225	1 009
Counterweights:			Boom 10'	700	318
Center	21,000	9 526	Boom 30'	2,050	930
Outside	21,000	9 526	Boom Tip 20' c/w Jib Adapter	2,225	1 009
Inside	16,000	7 258			
Total Counterweights	58,000	26 310			
<u>ADDITIONAL INFORMATION</u>			<u>FIXED JIB 40' – 60'</u>		
65 Ton 3 Sheave Block	950	431	#9HL Tubular 27 3/4" W x 27 3/4" H		
15 Ton Ball	450	204	Butt 20' c/w Mast	1,400	635
			Insert 20'	385	175
			Tip 20'	665	302

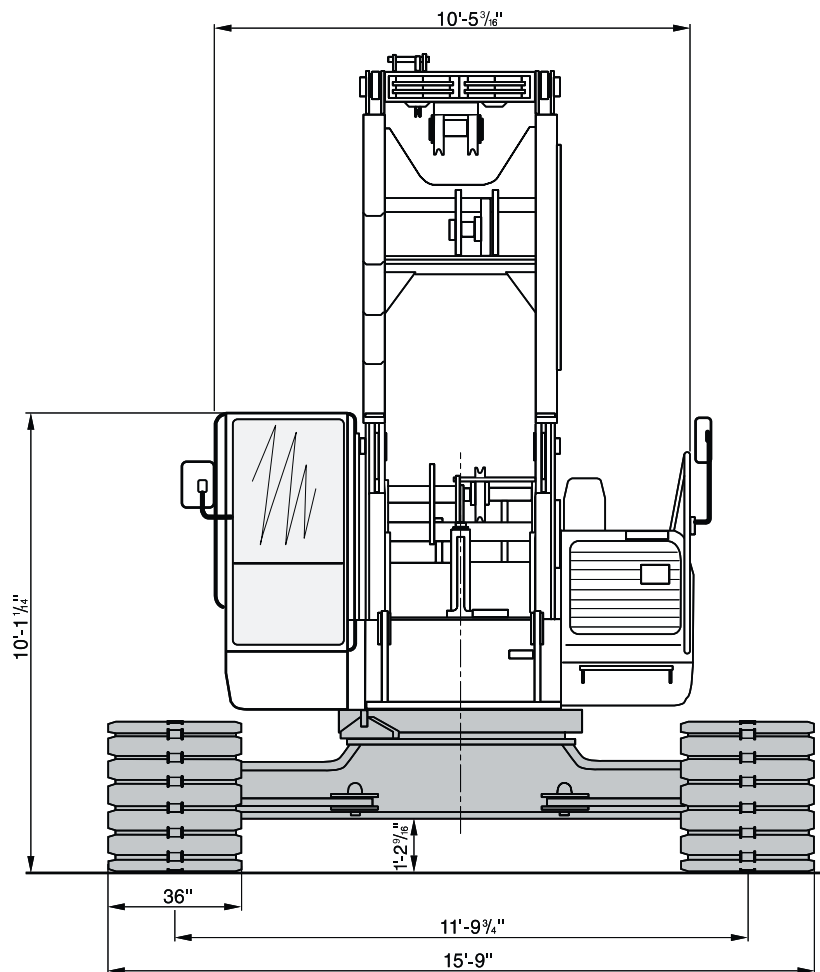
STERLING CRANE

DIMENSIONS



STERLING CRANE

DIMENSIONS



STERLING CRANE

TRANSPORT EXAMPLE FOR HC 80

170' 47HI BOOM AND 60' #9HL JIB

Loads based on 48 ft flatbed trailer. Loading information is an example only, specific loads will vary depending on crane options.
Weights shown do **NOT** include blocking or tie-down material.

LOAD NO. 1

3 x 47 H 30' Boom Center Sections @ 2,045 # each	6,135 lbs
Inside Counterweight	16,000 lbs
#9HL 20' Jib Center	385 lbs
Center Counterweight	21,000 lbs
1 x 47 H 10' Boom Center Sections	700 lbs
TOTAL LOAD	44,220 lbs

LOAD NO. 2

Outside Counterweight	21,000 lbs
47HI Boom Outer	2,225 lbs
47 H 30' Boom Center	2,045 lbs
#9HL Jib Inner	890 lbs
#9HL Jib Outer	665 lbs
Crate, Misc. Parts, Block & Ball	3,500 lbs
TOTAL LOAD	30,325 lbs


LOAD NO. 3

Basic Upper, including:

- a) Carbody
- b) Sideframes
- c) Boom Inner

TOTAL LOAD (BASIC CRANE, etc.)	88,000 lbs
---	-------------------

KEY

 Counterweight

CB Central ballast