



TRANSPORTATION SPECS - Hydraulic Truck Cranes

LINK-BELT MODEL HTC-8660 II - 60 TON CAPACITY

COMPONENT WEIGHTS

	<u>LBS.</u>	<u>KGS.</u>
Complete Crane w/o Dolly (incl. block, ball, jib & cwts)	86,680	39 318
Main Unit	72,964	33 096
Boom Dolly: Tandem	7,000	3 175

ADDITIONAL INFORMATION

40 Ton Block	780	34
8.5 Ton Ball	360	163
28.5' – 51' Jib	1,830	832
Counterweights:		
#1	3,582	1 625
#2	3,582	1 625
#3	3,852	1 625

TRANSPORTATION

Average Driving Speed 80 km/hr

Alberta

• All Seasons Drive Tandem Dolly

British Columbia

• Normally Drive No Dolly
• Road Ban Period Drive No Dolly
Counterweight on Crane

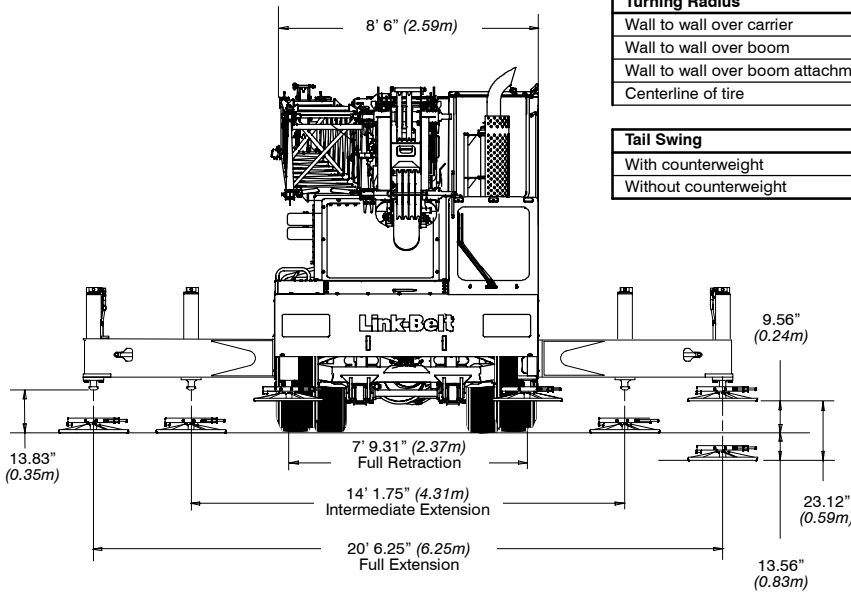
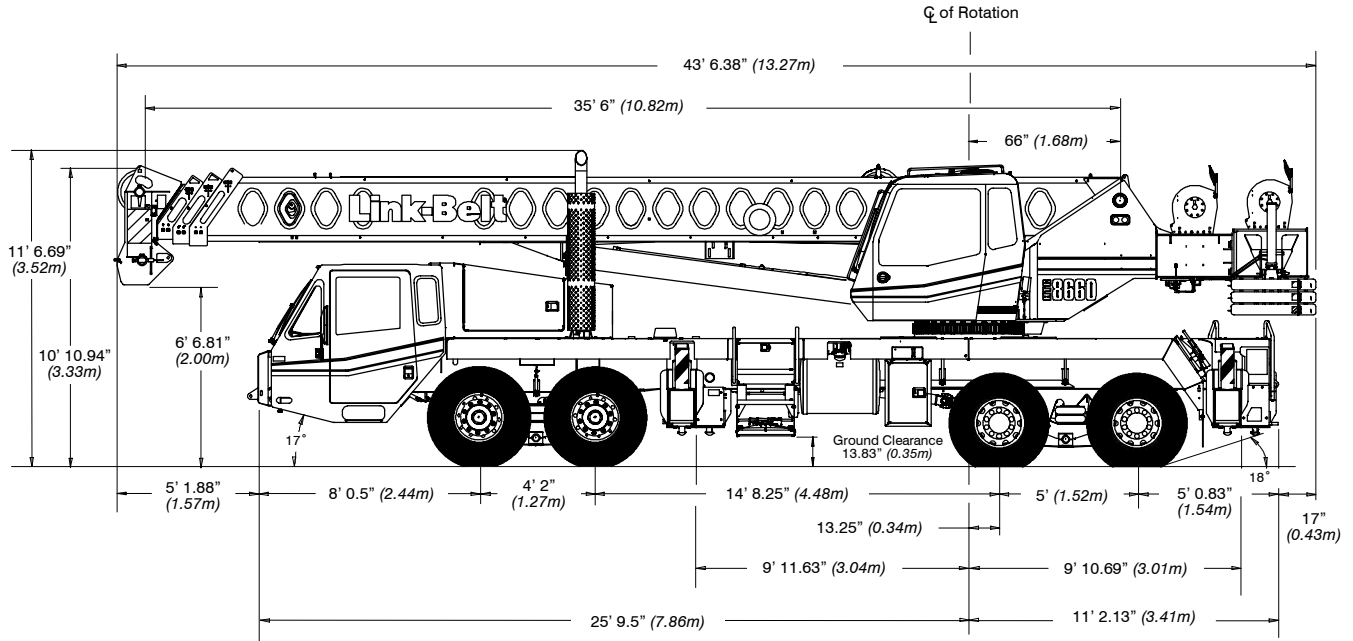
Saskatchewan**

• Normally Drive Dolly
• Road Ban Period Drive Restricted Travel on Some Secondary Roads

** Yearly Permit

STERLING CRANE

General Dimensions



Turning Radius	English	Metric
Wall to wall over carrier	44' 1"	13.4m
Wall to wall over boom	45' 6"	13.9m
Wall to wall over boom attachment	46' 11"	14.3m
Centerline of tire	38' 7"	11.8m

Tail Swing	English	Metric
With counterweight	12' 8.5"	3.9m
Without counterweight	12' 5.25"	3.8m