



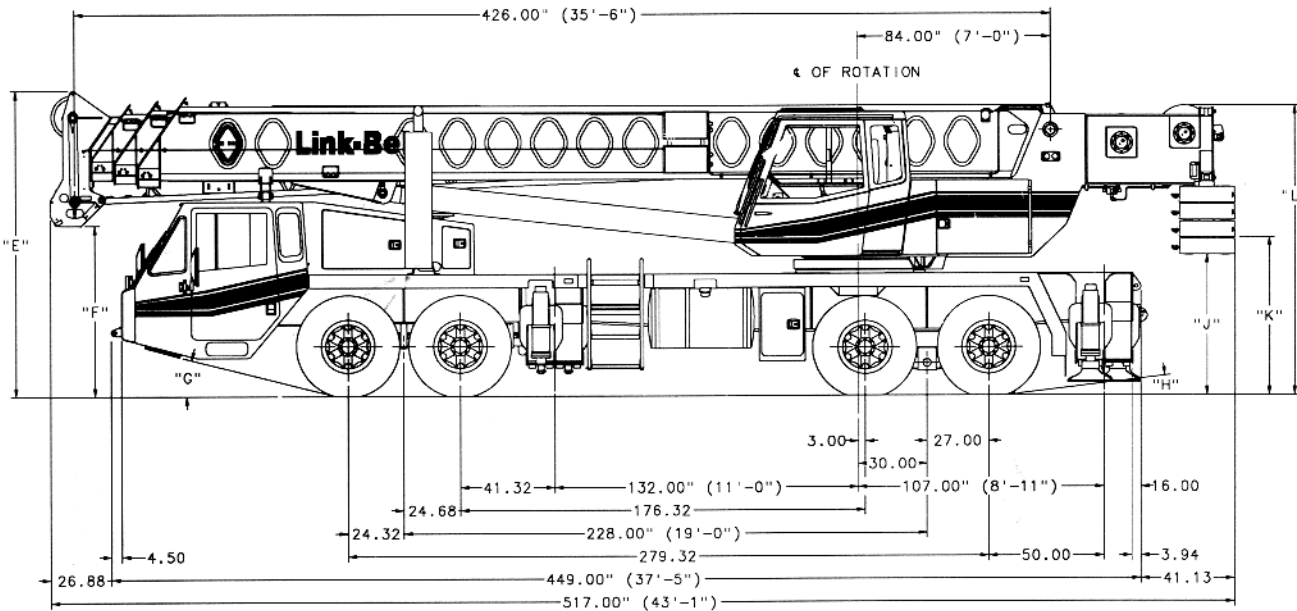
TRANSPORTATION SPECS - Hydraulic Truck Cranes

LINK-BELT MODEL HTC-8665 - 65 TON CAPACITY

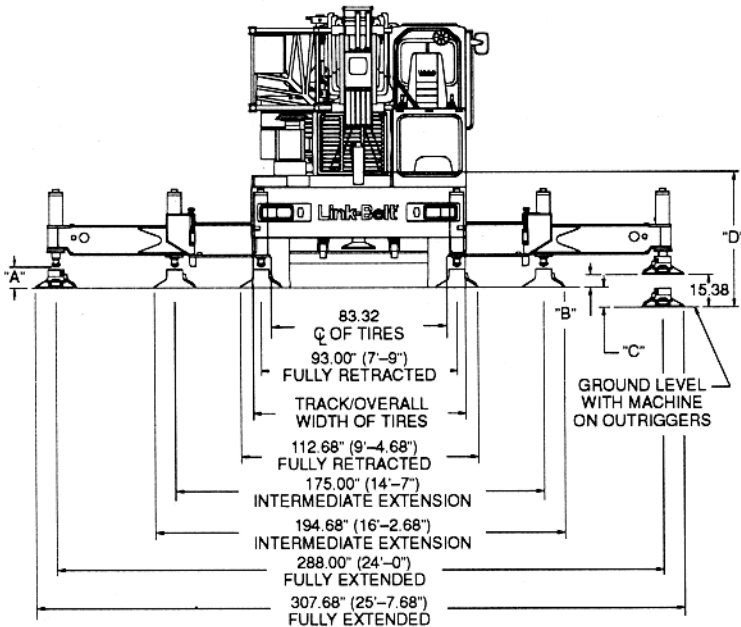
<u>COMPONENT WEIGHTS</u>	<u>LBS.</u>	<u>KGS.</u>
Complete Crane w/o Dolly (incl. block, ball & 34' - 56' jib)	92,040	41 760
Main Unit	75,928	34 450
Counterweight (4 pieces @ 3060)	12,240	5 552
Certificate Weight		44 700
<u>ADDITIONAL INFORMATION</u>		
70 Ton Block	1,390	631
8.5 Ton Ball	360	163
34' Fly Jib	1,466	665
34' - 56' Two Piece Fly	2,122	963
Main Load Line (3/4" x 550')	572	260
Auxiliary Load Line (3/4" x 550')	572	260
<u>TRANSPORTATION</u>		
Average Driving Speed		50 km/hr
<u>Alberta & British Columbia</u>		
		<u>Trailer</u>
• Normally	Drive	Tandem Dolly c/w 2 Pieces Cwt.
• Spring / Road Ban Period	Drive	Tandem Dolly c/w 4 Pieces Cwt.
<u>Saskatchewan</u>		
• All Seasons	Drive	Tandem Dolly c/w 4 Pieces Cwt.

STERLING CRANE

Dimensions based on machine equipped with standard tires and aluminum pontoons.



Not to Scale



Not to Scale

General Dimensions	feet	meters
Turning radius (centerline to centerline of tires)	51' 0"	15.54
Turning radius (curb to curb)	51' 9"	15.77
Turning radius (wall to wall)	55' 6"	16.92
Ground clearance	10-5/16"	.26
Tailswing	13' 9"	4.19

Dimensions Affected by Tires			
Std. tires 12.0 x 20.0			
A	11.88"	G	13.5°
B	7.00"	H	8.6"
C	9.12"	I	60.81"
D	63.06"	K	68.50"
E	133.69"	L	126.56
F	74.56"		