

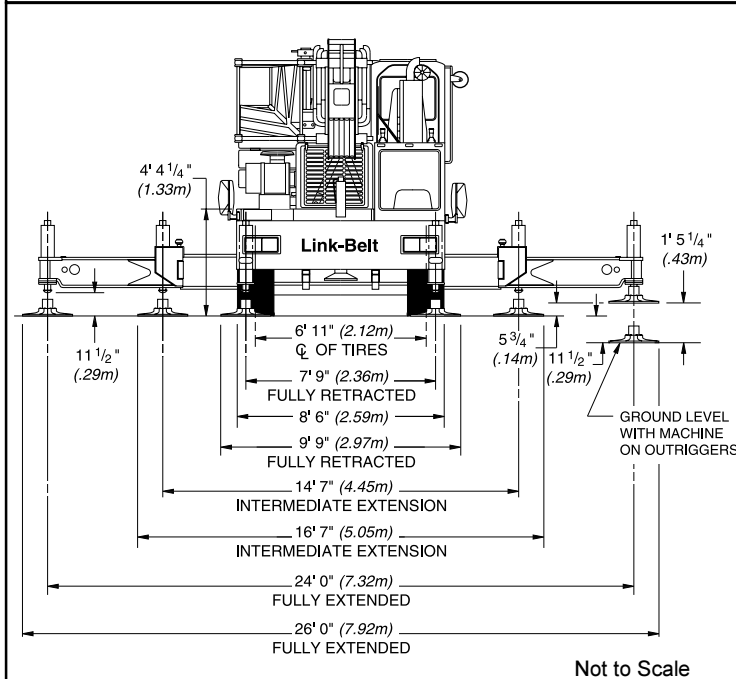
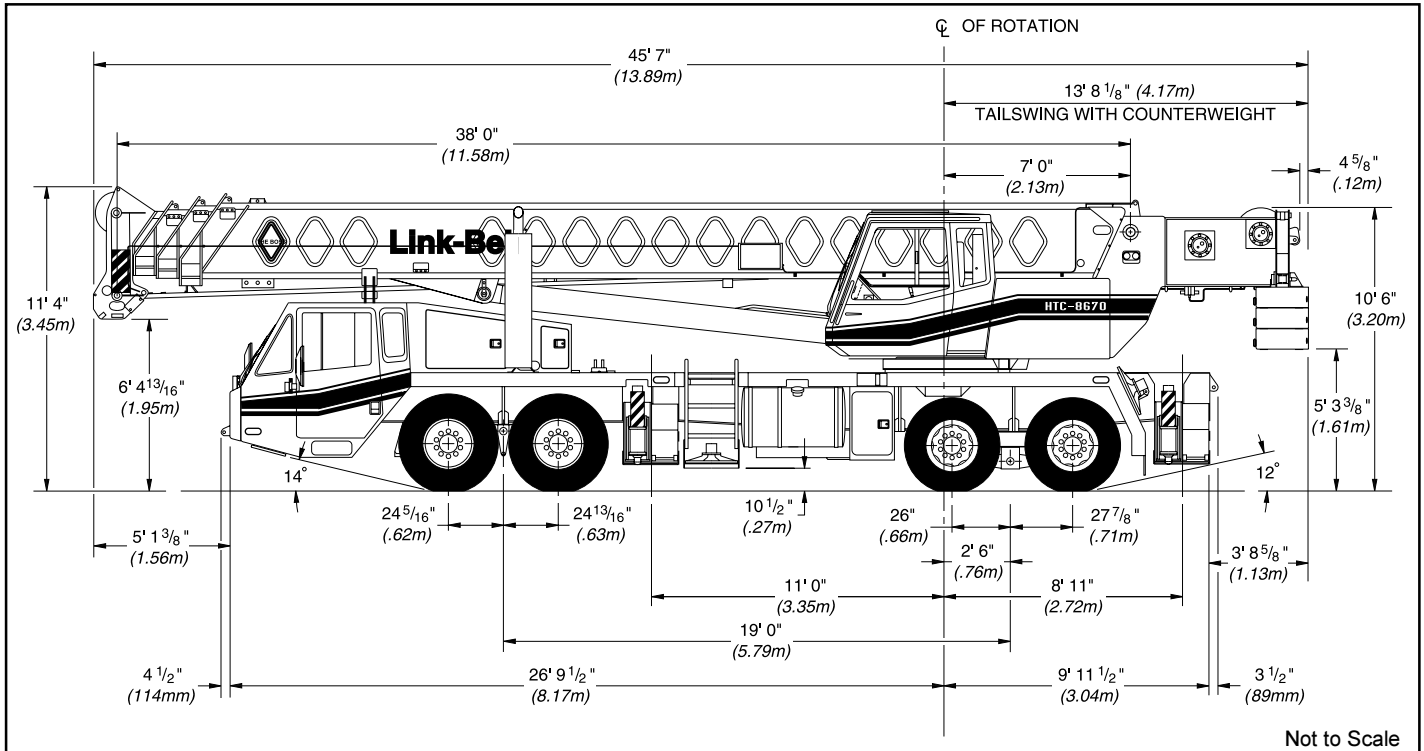


## TRANSPORTATION SPECS - Hydraulic Truck Cranes

### LINK-BELT MODEL HTC-8675 - 75 TON CAPACITY

<u>COMPONENT WEIGHTS</u>	<u>LBS.</u>	<u>KGS.</u>			
Complete Crane w/o Dolly (1) (incl. block, ball & 36'6" – 61' jib)	97,200	44 100			
Complete Crane c/w 8,000 lb. counterweight (2)	89,200	40 472			
Main Unit	77,470	35 150			
Counterweight (3 pieces @ 4000 and 2 @ 2000)	16,000	7 260			
Certificate Weight		45 000			
<b><u>ADDITIONAL INFORMATION</u></b>					
60 Ton Block	1,109	504			
45 Ton Block (3 sheave) – Optional (Colorado Only)	920	417			
8.5 Ton Ball	360	163			
36'6" – 61' Two Piece Fly	2,248	1 020			
Boom Dolly	8,465	3 840			
Counterweight: Main c/w Aux. Hoist : Slab (2) Each	5,000 3,000	2 268 1 361			
Main Load Line (3/4" x 550')	572	260			
Auxiliary Load Line (3/4" x 550')	572	260			
<b><u>TRANSPORTATION</u></b>					
Maximum Speed: 60 km/hr 37.5 mph					
<b><u>Alberta &amp; British Columbia</u></b>		<u>Weight</u>	<u>Trailer</u>	<b><u>Colorado</u></b>	
• Normally	(1) Drive	Tandem Dolly c/w 8,000 lb. cwt.	• Complete Crane (2) c/w 8,000 lb. counterweight	(2) Drive	--
• Spring / Road Ban Period	(1) Drive	Tandem Dolly c/w 12,000 lb. cwt.	• 8,000 lb. counterweight c/w miscellaneous	(2) Drive	S/A Truck
<b><u>Saskatchewan</u></b>					
• Normally	(1) Drive	Tandem Dolly c/w 5 pcs. Cwt.			
• Road Ban Period	(1) Drive	Restricted travel on some secondary roads			

# STERLING CRANE



General Dimensions	feet	meters
Turning radius (curb to curb)	38' 10"	11.84
Turning radius (wall to wall)	44' 10-1/2"	13.69
Ground clearance	13-1/4"	.34
Tailswing	13' 9"	4.19