



TRANSPORTATION SPECS - Hydraulic Truck Cranes

TADANO MODEL TT-600XL - 60 TON CAPACITY

COMPONENT WEIGHTS

| | <u>LBS.</u> | <u>KGS.</u> |
|---|-------------|-------------|
| Complete Crane (c/w counterweights, jib, block & ball) | 90,550 | 41 084 |
| Main Unit | 78,440 | 35 590 |

ADDITIONAL INFORMATION

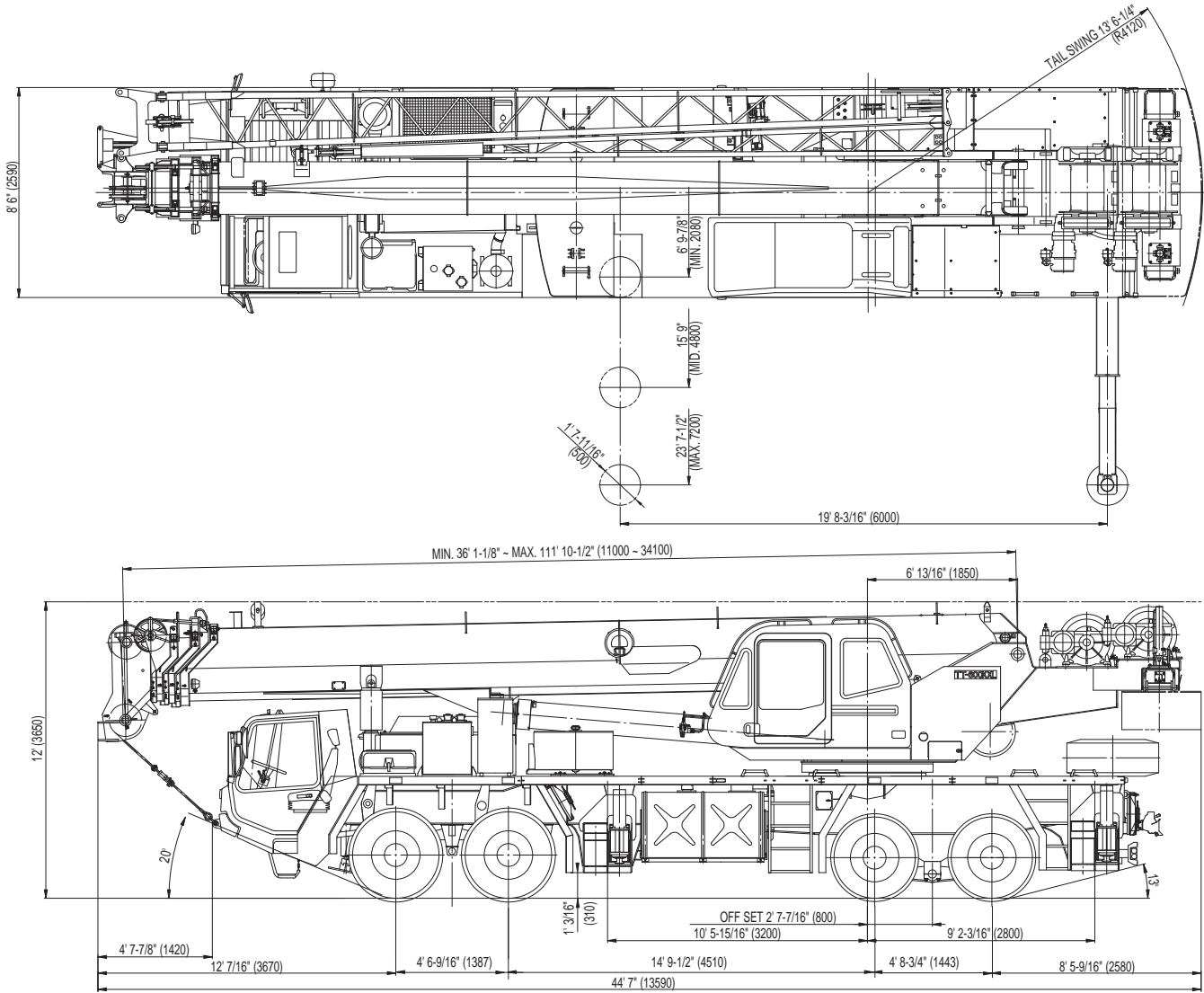
| | | |
|--|-------|-------|
| 45 Ton Block (4 Sheave) | 760 | 345 |
| 6.2 Ton Ball | 290 | 132 |
| Swingaway Jib 33' – 56' Bifold Extension | 2,590 | 1 178 |
| Rooster Sheave | 110 | 50 |
| Counterweights 1 | 8,000 | 3 630 |
| Tire Size: Front: 445/65R22.5 Rear: 315/80R22.5 | | |
| Main Load Line 3/4" x 623' (19mm x 190m) | 648 | 295 |
| Auxiliary Hoist Line 3/4" x 367' (19mm x 112m) | 382 | 174 |

TRANSPORTATION

| | |
|----------------|----------------------|
| Maximum Speed: | 60 km/hr 37.5 mph |
|----------------|----------------------|

STERLING CRANE

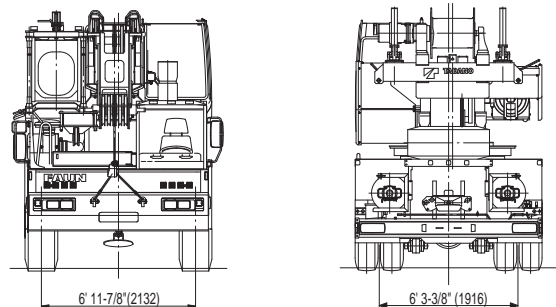
DIMENSIONS



GENERAL DIMENSIONS

Tire: 445/65R22.5(Front)
315/80R22.5(Rear)

| Turning radius | Feet | Meters |
|---------------------------|--------|--------|
| Front tire (curb to curb) | 42' 8" | 13.0 |
| Over jib | 49' 7" | 15.1 |



Specifications are subject to change without notice