



TRANSPORTATION SPECS - Rough Terrain Cranes

TADANO MODEL GR500XL-1 - 50 TON CAPACITY

COMPONENT WEIGHTS

Complete Crane
(incl. block, ball and jib)

<u>LBS.</u>	<u>KGS.</u>
75,617	34,300

ADDITIONAL INFORMATION

50Ton Block (4Sheave)	767	348
5.5 Ton Ball	290	131
2 Stage Jib (28.9'-50')	1780	807
Auxiliary Hoist & Line	1830	830
Rooster Sheave	150	68
Main Load Line (3/4"x597')		
Auxiliary Hoist Line (3/4"x345')		

TRANSPORTATION

Alberta and Saskatchewan

	<u>Weight</u>	<u>Trailer</u>
• Spring	(1)	28 wh
• Summer	(1)	24 wh
• Fall	(1)	20 wh
• Winter	(1)	16 wh

British Columbia

	<u>No.</u>	<u>Trailer</u>
• Ban Max. 80,000lb	(1)	9 axle
• Post Ban Stay on 85,000kg corridor	(1)	7 axle

Colorado

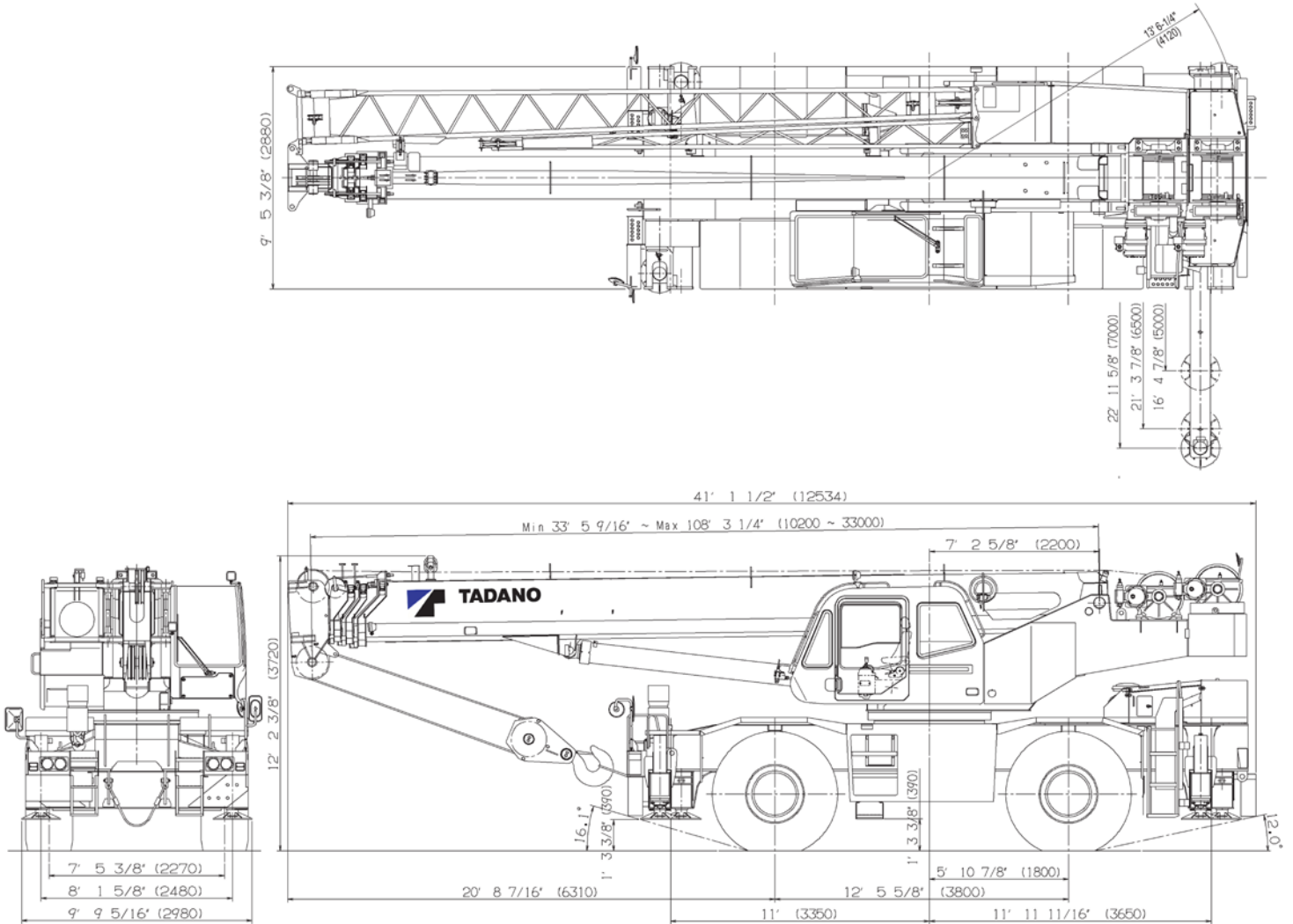
	<u>Weight</u>	<u>Trailer</u>
• Interstate	(1)	9 axle

Saskatchewan

• Ban	(1)	32 wh/9 axle
• Post Ban	(1)	24 wh/7 axle

STERLING CRANE

DIMENSIONS



GENERAL DIMENSIONS (23.5 - 25 Tires)

Note: Dimension is with boom angle at -0.8 degree.

	Feet	Meters
Turning radius:		
4 wheel steer	22'	6.7
2 wheel steer	38' 4-5/8"	11.7