

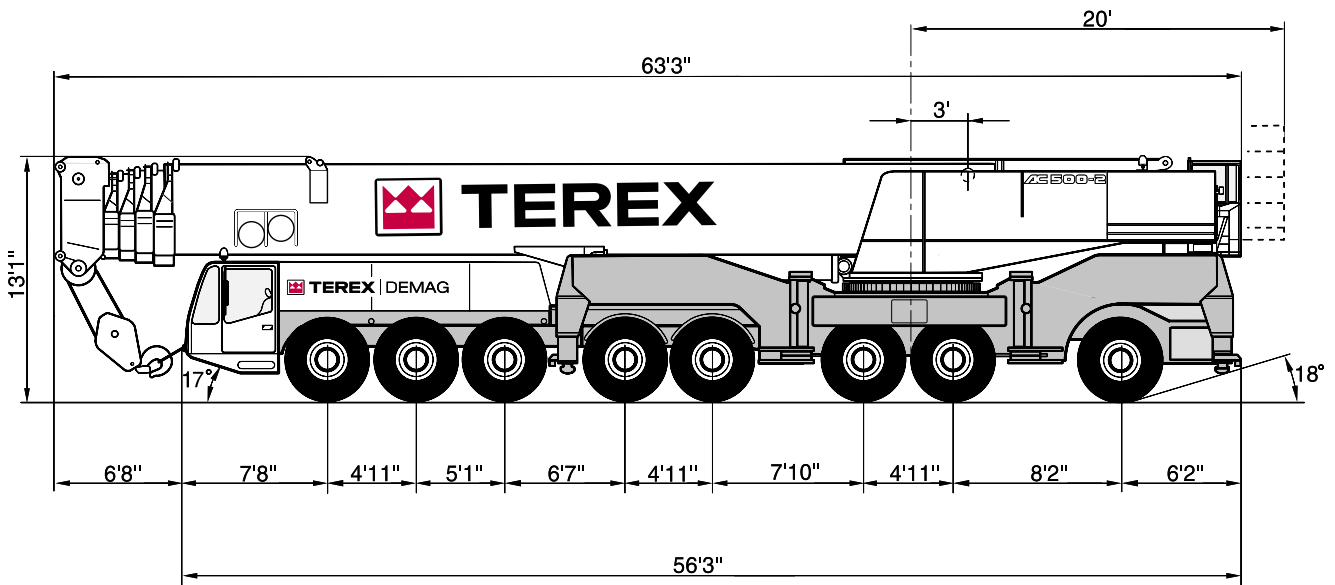
STERLING CRANE



LIFTING CHARTS - All Terrain Cranes

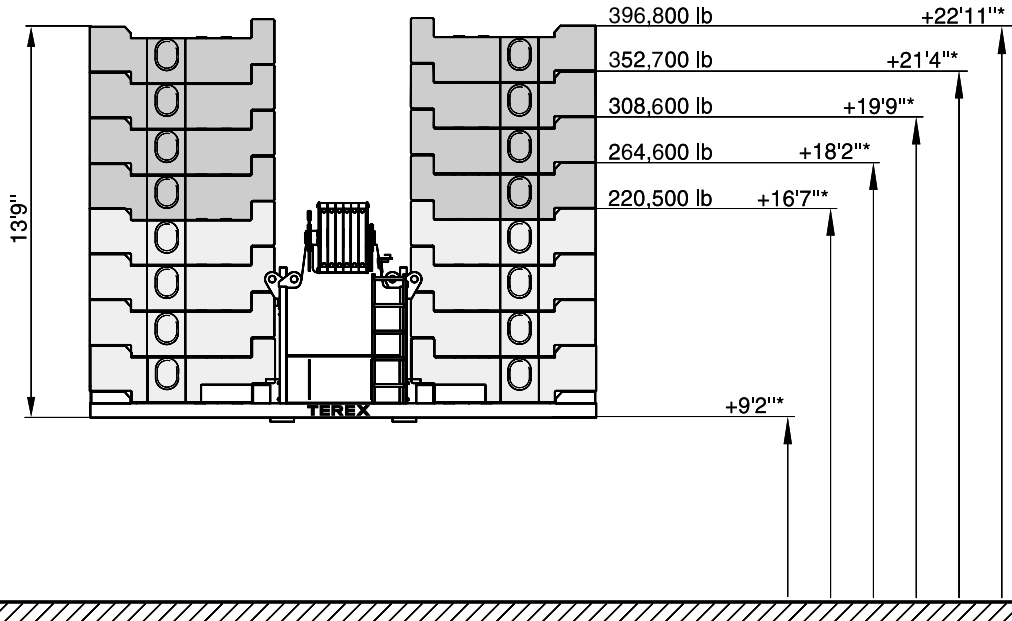
TEREX MODEL AC 500-2 - 600 TON CAPACITY

DIMENSIONS

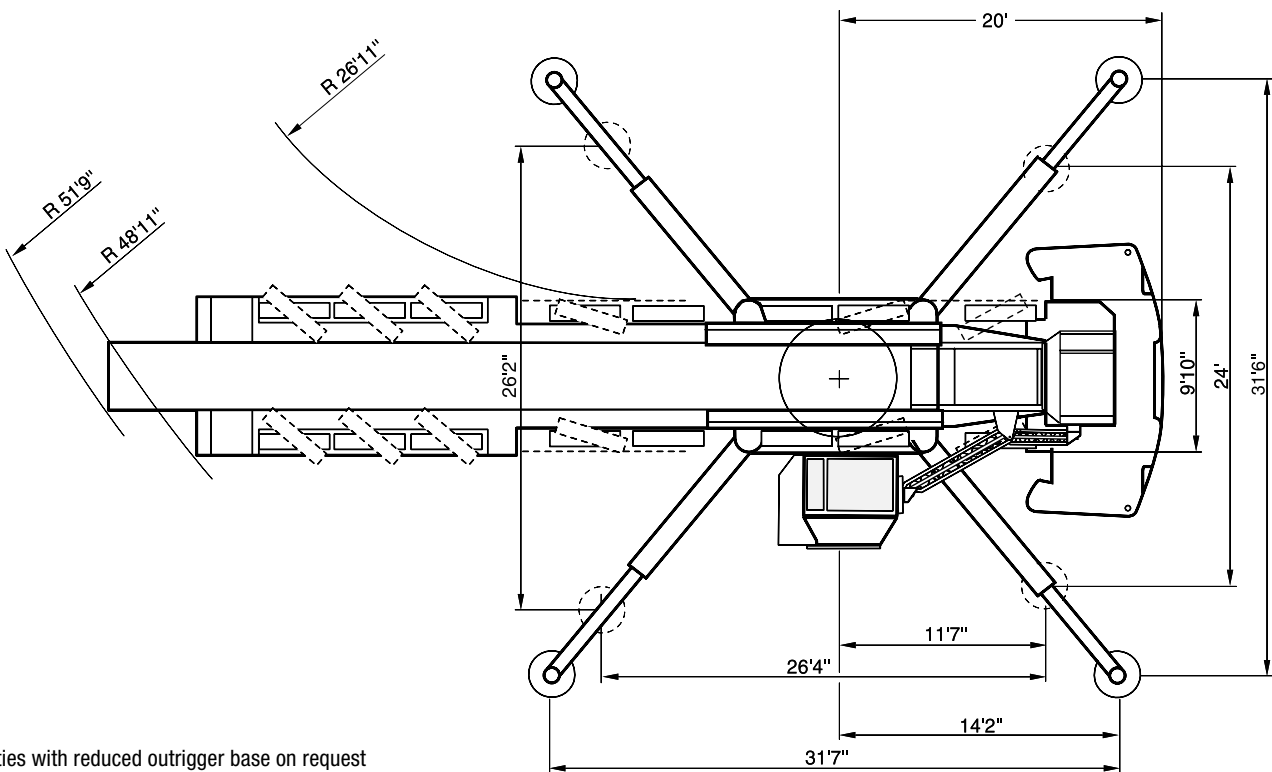


STERLING CRANE

DIMENSIONS



* Tail swing above ground



Duties with reduced outrigger base on request