

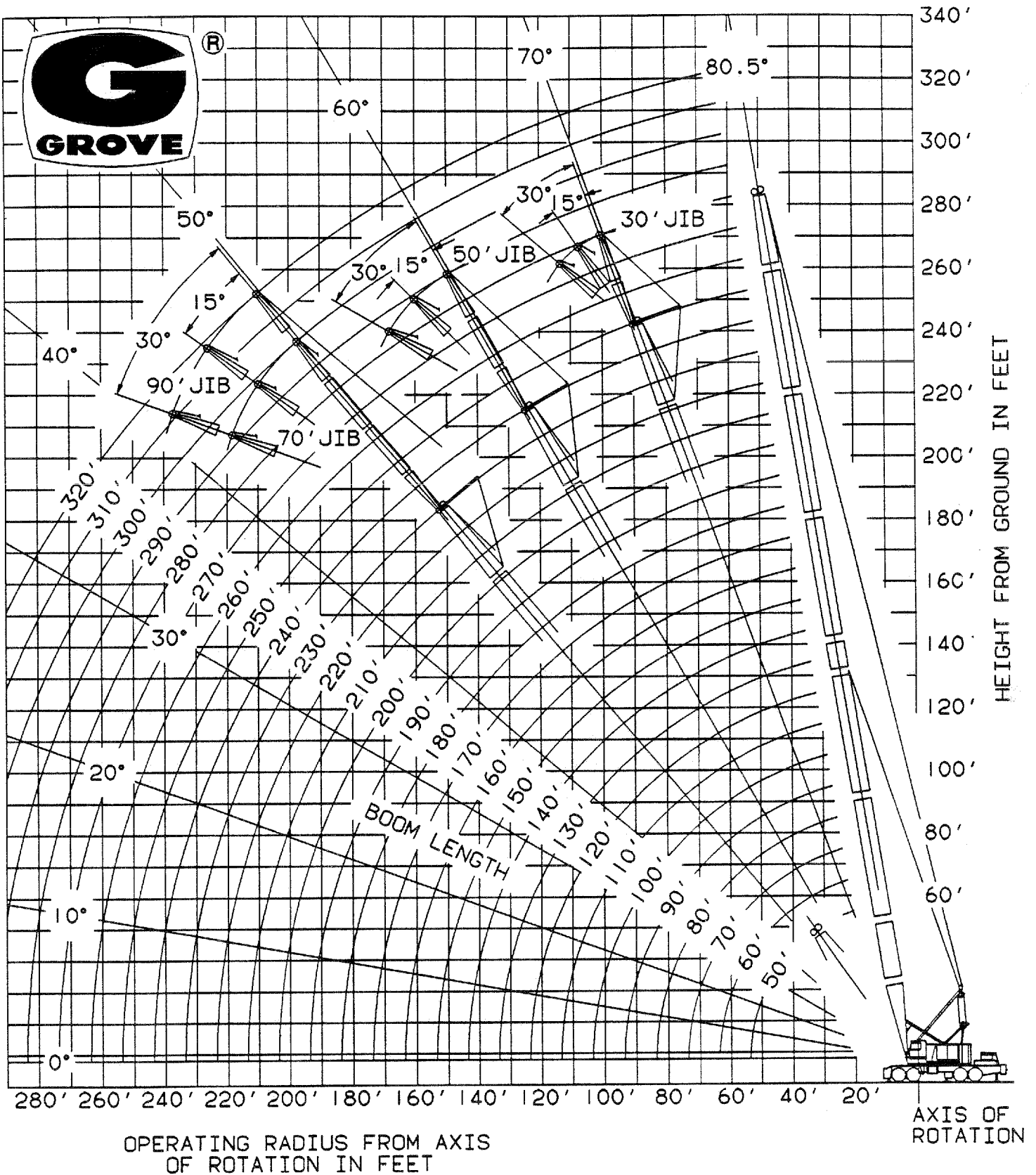
# STERLING CRANE



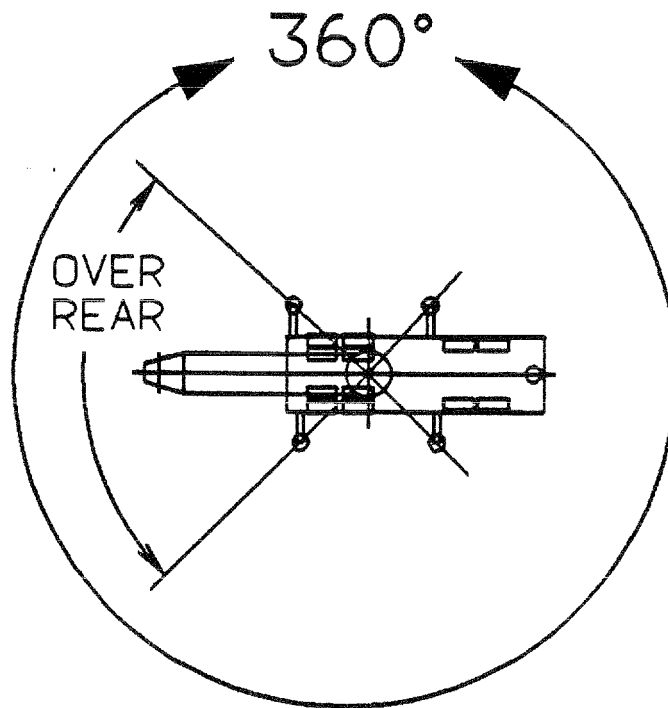
LIFTING CHARTS - Conventional Truck Cranes

GROVE MODEL HL150T - 150 TON CAPACITY

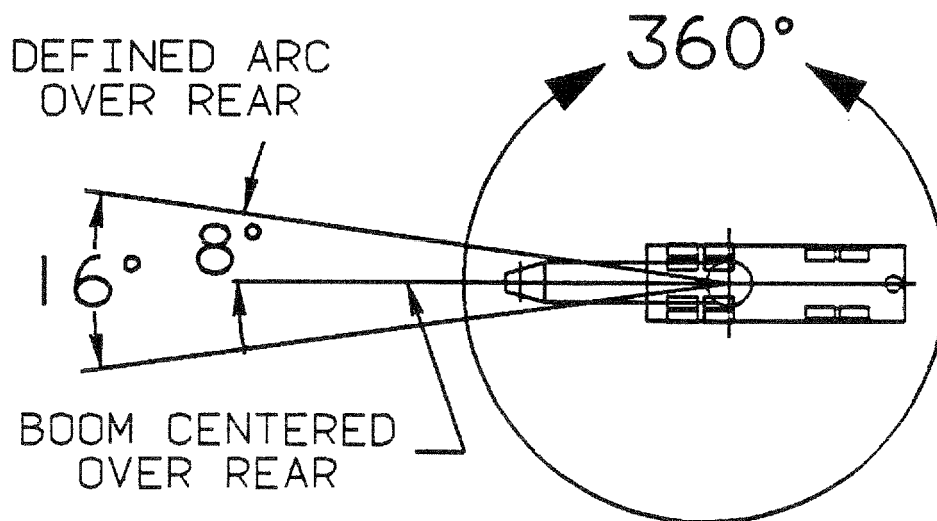
RANGE DIAGRAM



# STERLING CRANE



LIFTING AREA DIAGRAM  
ON OUTRIGGERS



LIFTING AREA DIAGRAM  
ON TIRES