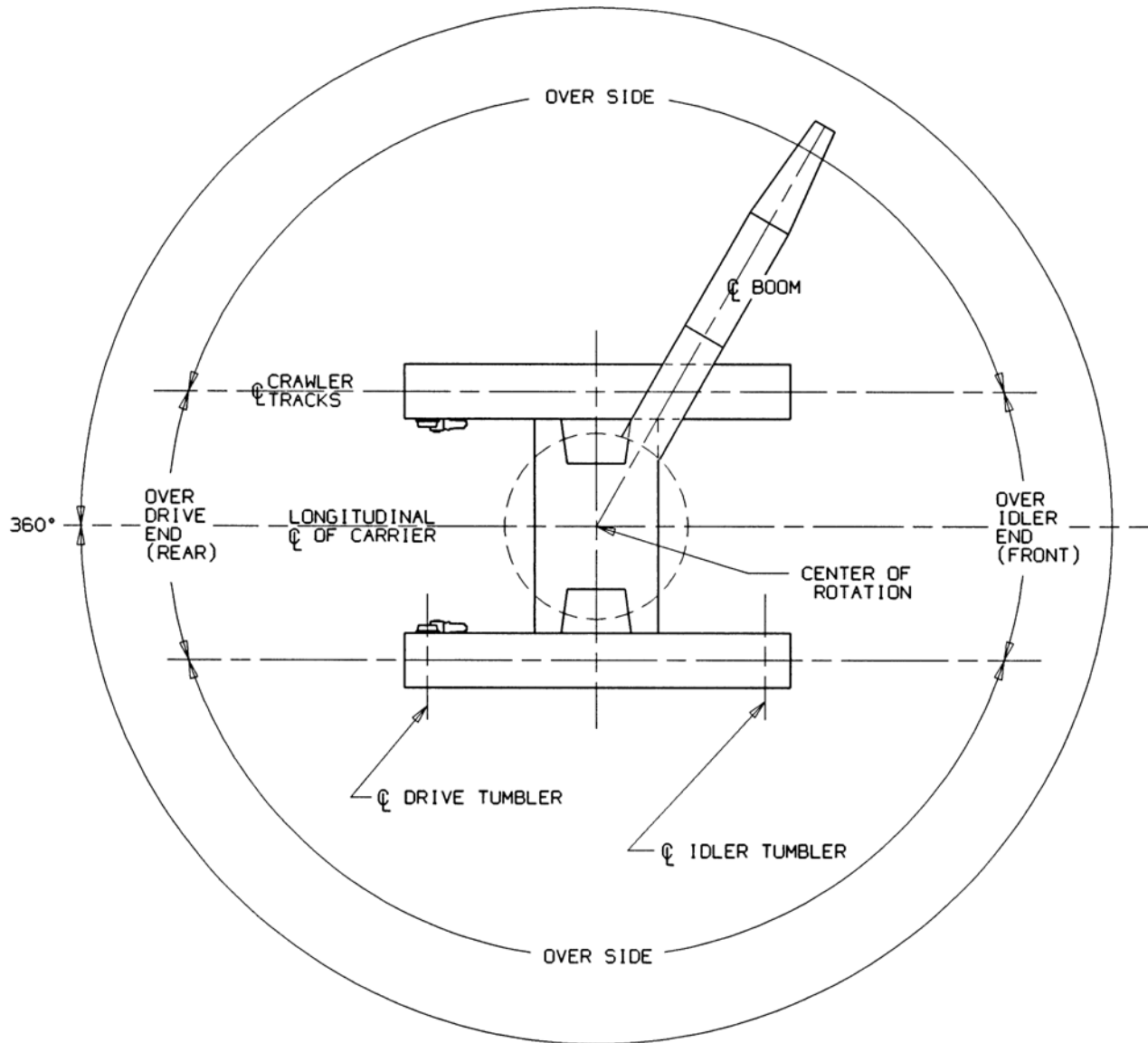




LIFTING CHARTS - Crawler Cranes

MANITOWOC MODEL 888 - 230 TON CAPACITY

OPERATING RANGE DIAGRAM _____ 888 SERIES 2



THESE LINES DETERMINE LIMITING POSITION OF ANY LOAD FOR OPERATION WITHIN WORKING AREAS INDICATED.

APPROVED WORKING AREAS FOR CRAWLER MACHINES ARE SHOWN IN ABOVE DIAGRAM.

LIFTING IS APPROVED ONLY IN THOSE AREAS FOR WHICH RATINGS ARE SHOWN ON CAPACITY CHARTS.