



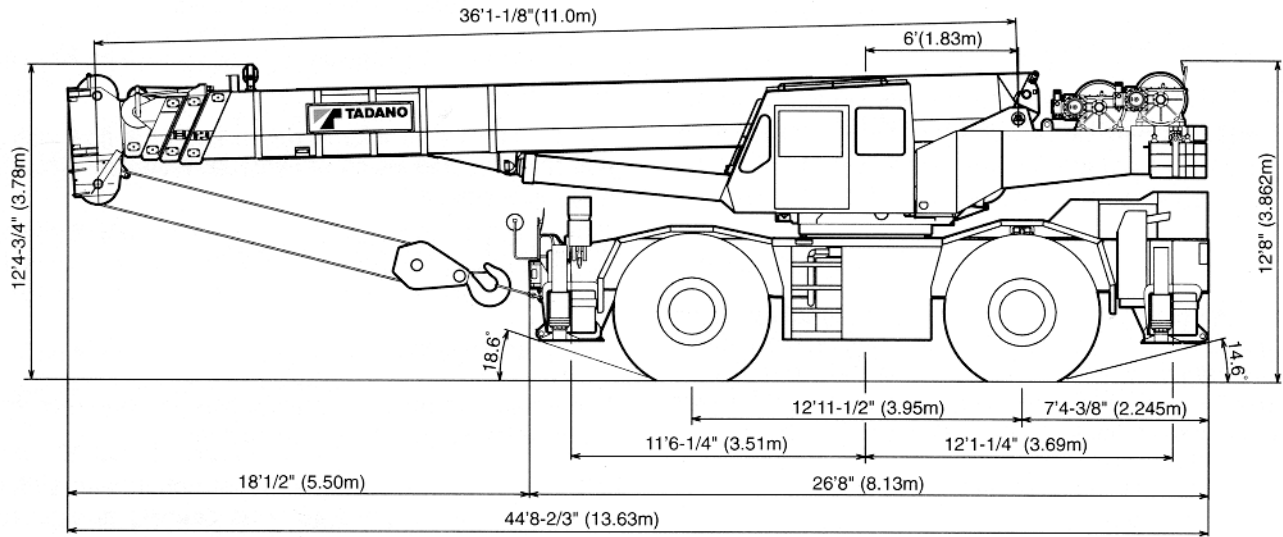
TRANSPORTATION SPECS - Rough Terrain Cranes

TADANO MODEL TR-650XXL-3 - 65 TON CAPACITY

<u>COMPONENT WEIGHTS</u>		<u>LBS.</u>	<u>KGS.</u>
Complete Crane (incl. block, ball & jib)	(1)	103,484	46 940
Main Unit c/w Outriggers (excl. cwt, main winch*, block, ball, & jib)	(2)	80,635	36 576
Main Unit c/w Outriggers (excl. cwt & main winch)	(3)	88,230	40 021
Counterweight		16,773	7 608
Counterweight (inc. winch)		18,977	8 608
Boom		21,712	9 849
<u>ADDITIONAL INFORMATION</u>			
65 Ton Block		1,320	600
6.2 Ton Ball		330	150
2-Stage Jib (32'-56')		2,222	1 008
Main Winch c/w Line		2,204	1 000
Main Load Line (19 mm x 227 m)		774	351
Auxiliary Hoist Line (19 mm x 127 m)		432	196
* Main winch is bolted on top of counterweight.			
<u>TRANSPORTATION</u>			
<u>Alberta and Saskatchewan</u>		<u>Weight</u>	<u>Trailer</u>
• Spring	(1)		40 wh
• Summer	(1)		24 wh
• Winter	(1)		20 wh
<u>British Columbia</u>			
• Spring cwt, winch, block, ball & jib	(2)	22,849	8-9 axle LTL
• Summer & Winter Cwt & main winch	(3)	18,977	7 axle LTL
• Lower Mainland	(1)		7-9 axle

STERLING CRANE

DIMENSIONS



Note: Dimension is with boom angle at -1.5° .

GENERAL DIMENSIONS (29.5 X 25 Tires)

	Feet	Meters
Turning Radius:		
4 wheel steer	21' 11-3/4"	6.7
2 wheel steer	39' 1/2"	11.9
Tail swing of counterweight	13' 6-1/4"	4.12

