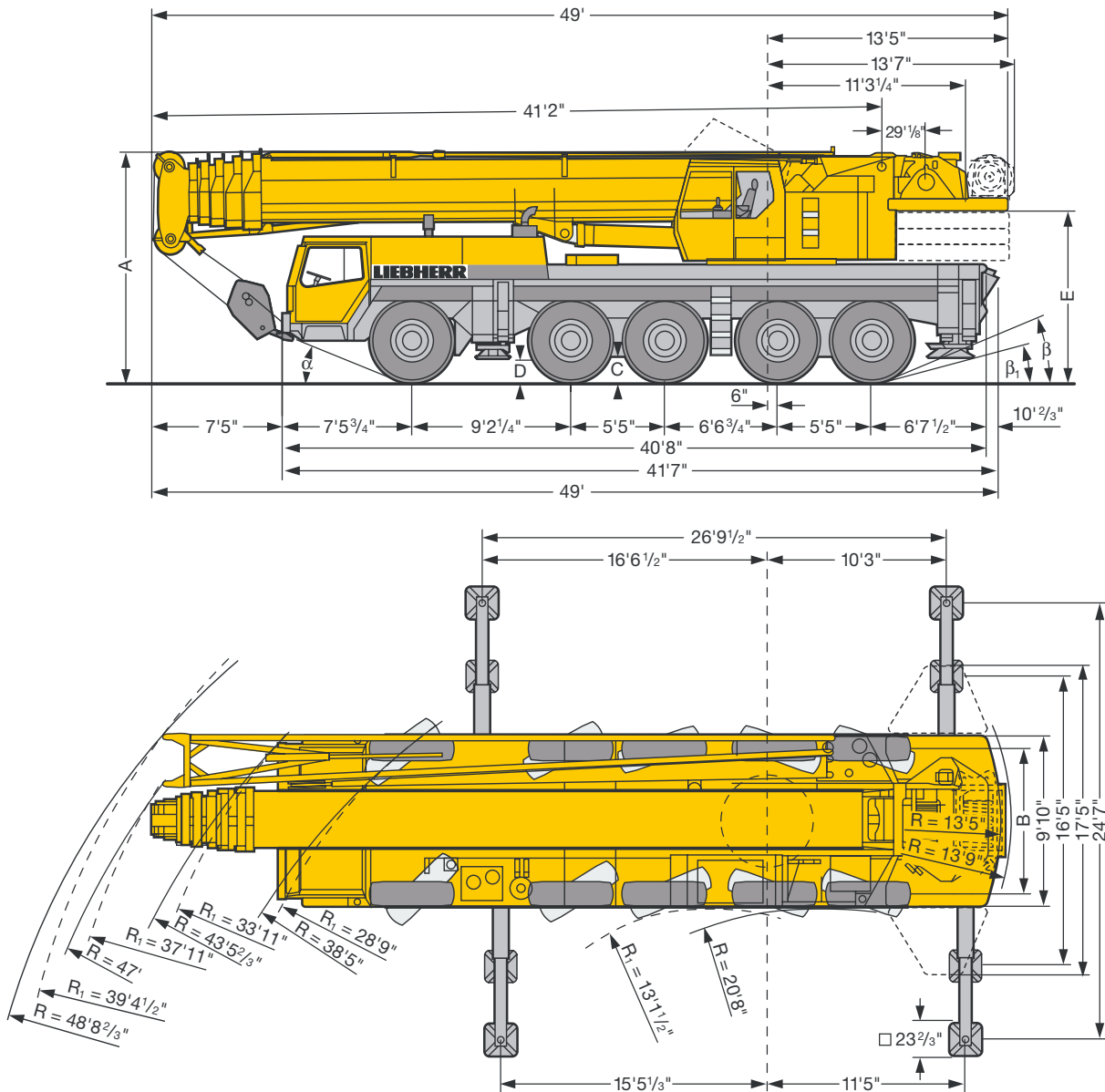




LIFTING CHARTS - All Terrain Cranes

LIEBHERR MODEL LTM 1150-5 - 170 TON CAPACITY

Dimensions Encombremment



R₁ = All-wheel steering / Direction toutes roues



16.00 R 25

* lowered / abaissé

Dimensions / Encombremment mm							α	β	β_1
A	A	B	C	D	E				
13'1 1/2"	6" *	8'4 3/4"	18'1/2"	14'2/3"	13'3/4"	23°	23°	15°	