



LIFTING CHARTS - Crawler Cranes

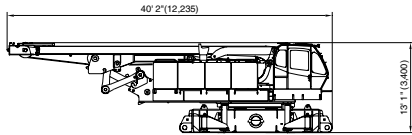
KOBELCO MODEL CK2500-II - 250 TON CAPACITY

Specification of Parts and Attachments

Dimensions: ft-in (mm) - Weight: lbs (kg)

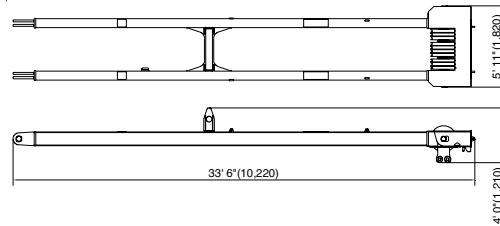
Base Machine

Weight: 99,000 lbs (44,800 kg)*



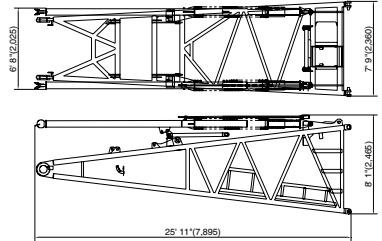
Mast

Weight: 6,110 lbs (2,770 kg)



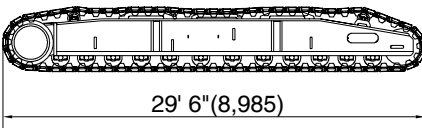
Boom Base

Weight: 10,285 lbs (4,665 kg)



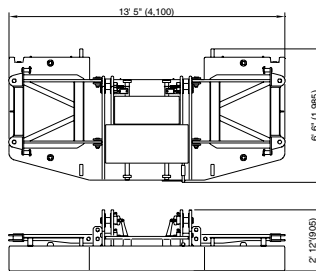
Crawler

Weight: 51,400 lbs (23,330 kg)



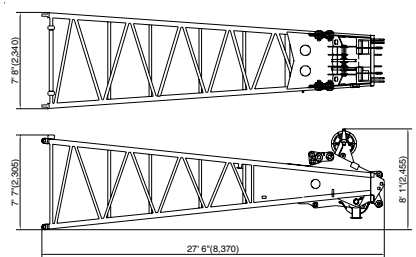
Counterweight (A)

Weight: 24,343 lbs (11,040 kg)



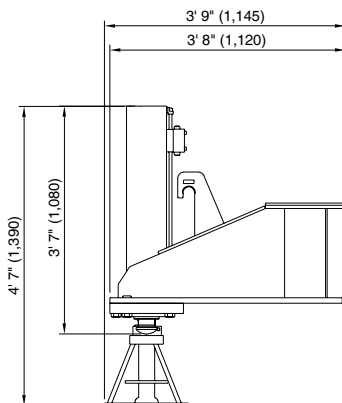
Boom Tip

Weight: 8,080 lbs (3,665 kg)



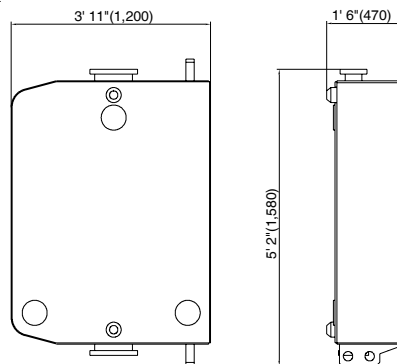
Translifter

Weight: 870 lbs (395 kg)

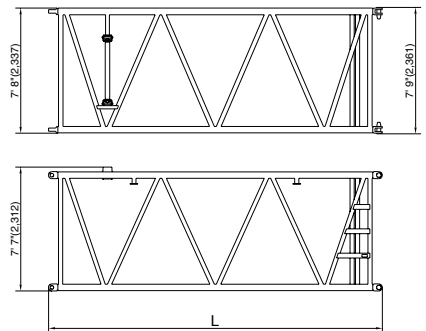


Counterweight (B)

Weight: 12,400 lbs (5,625 kg)



Insert Boom (10 ft, 20 ft, 40 ft)



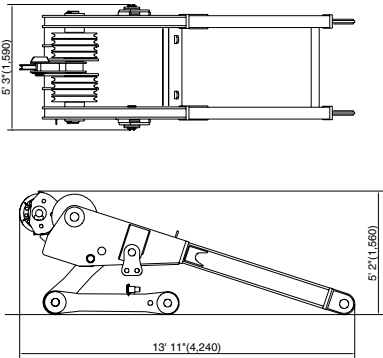
	L	Weight *
10ft (3.0m)	10'5" (3,175)	1,963lbs (890kg)
20ft (6.1m)	20'5" (6,223)	3,175lbs (1,440kg)
40ft (12.2m)	40'5" (12,319)	5,600lbs (2,540kg)

*with guy cables

STERLING CRANE

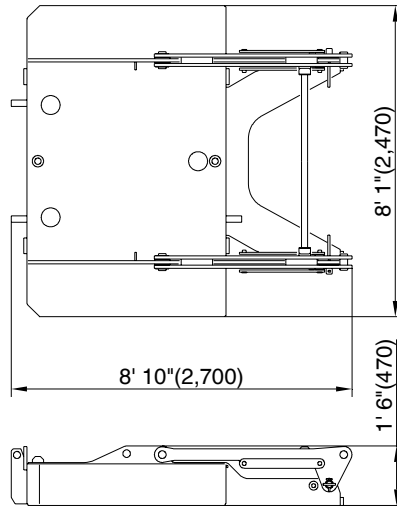
Gantry

Weight: 6,660 lbs (3,020 kg)



Carbody Weight (Base)

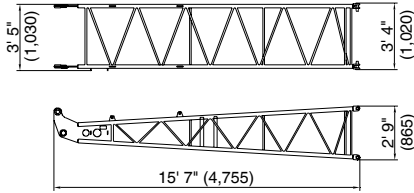
Weight: 14,000 lbs (6,350 kg)



* This weight includes the transferer and wire rope on the main, auxiliary and boom hoist drums but does not include 3rd winch, back stop or boom base.

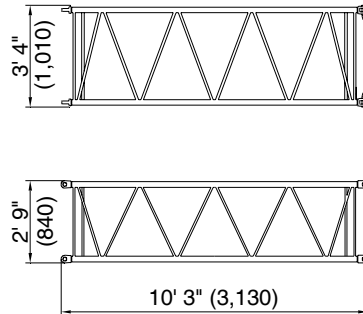
Jib Base (For Crane)

Weight: 465 lbs (210 kg)



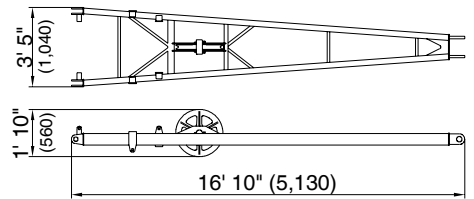
10ft (3.0 m) Insert Jib

Weight: 245 lbs (110 kg)



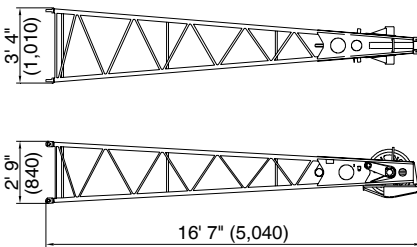
Jib Strut

Weight: 660 lbs (300 kg)



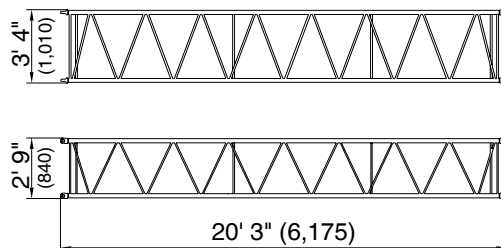
Jib Tip (For Crane)

Weight: 700 lbs (315 kg)



20ft (6.1 m) Insert Jib

Weight: 420 lbs (190 kg)



Aux. Sheave

Weight: 610 lbs (290 kg)

