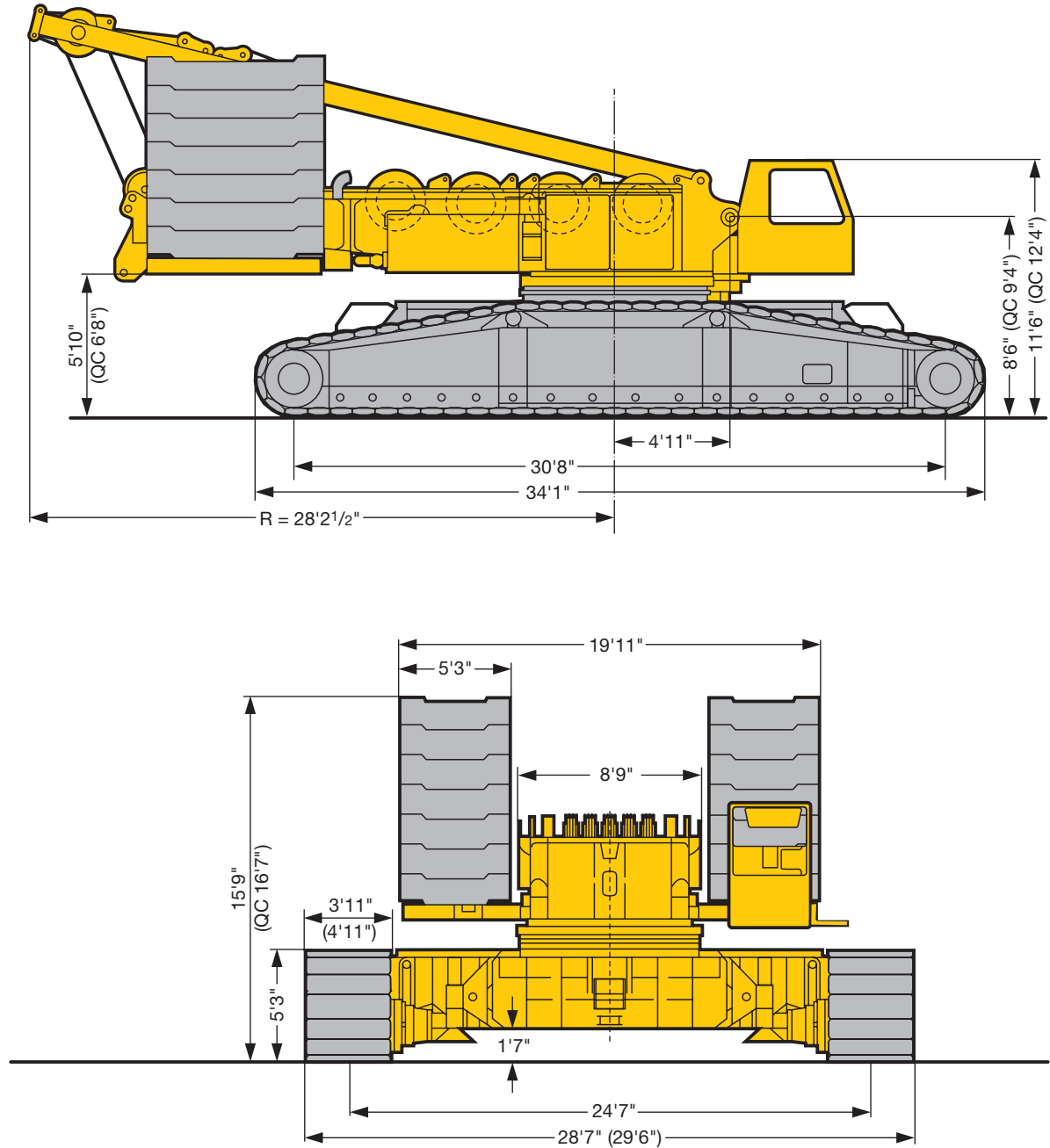




#### Dimensions



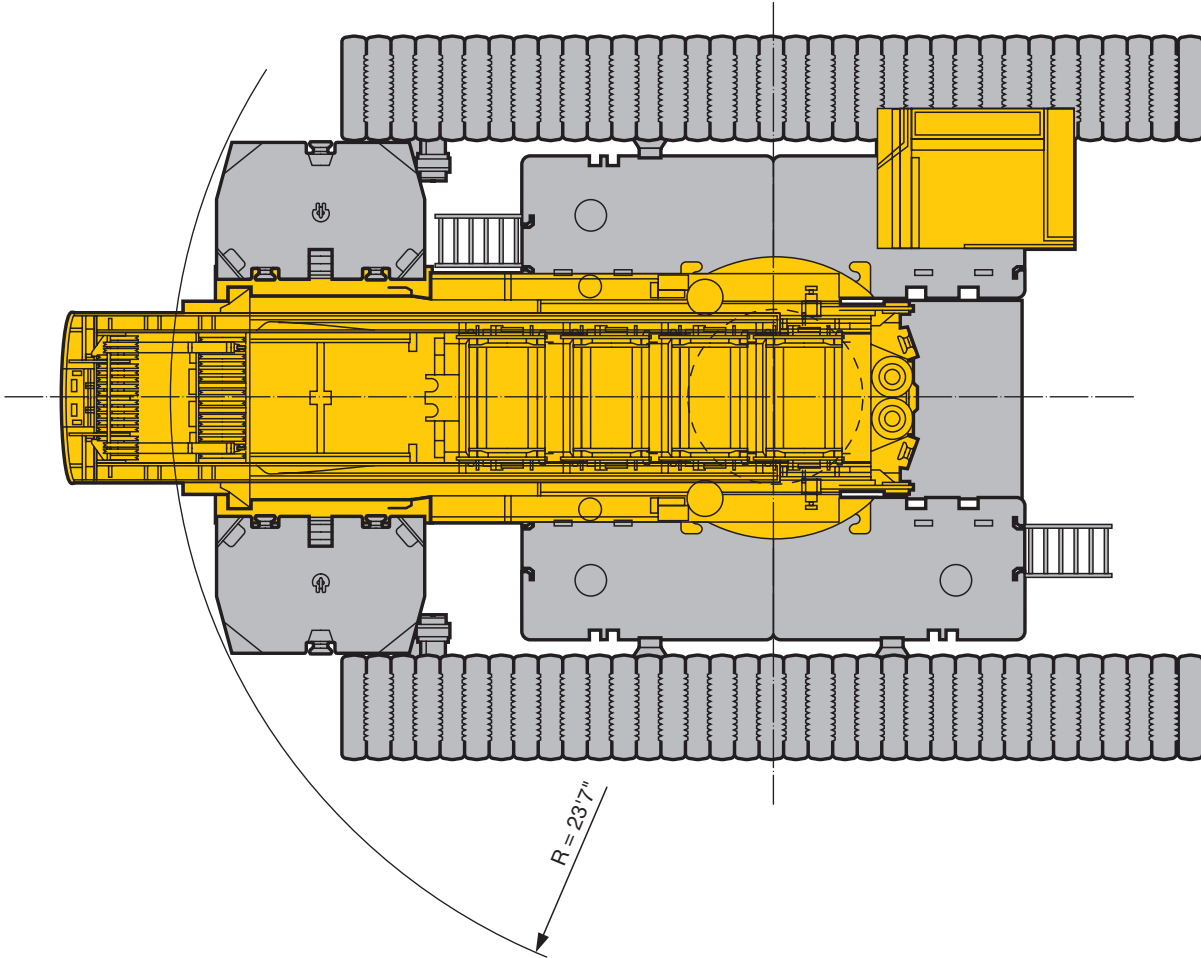
S1526

( ) Pad width 4'11"

QC = Quick connection

# STERLING CRANE

## Dimensions



S1527