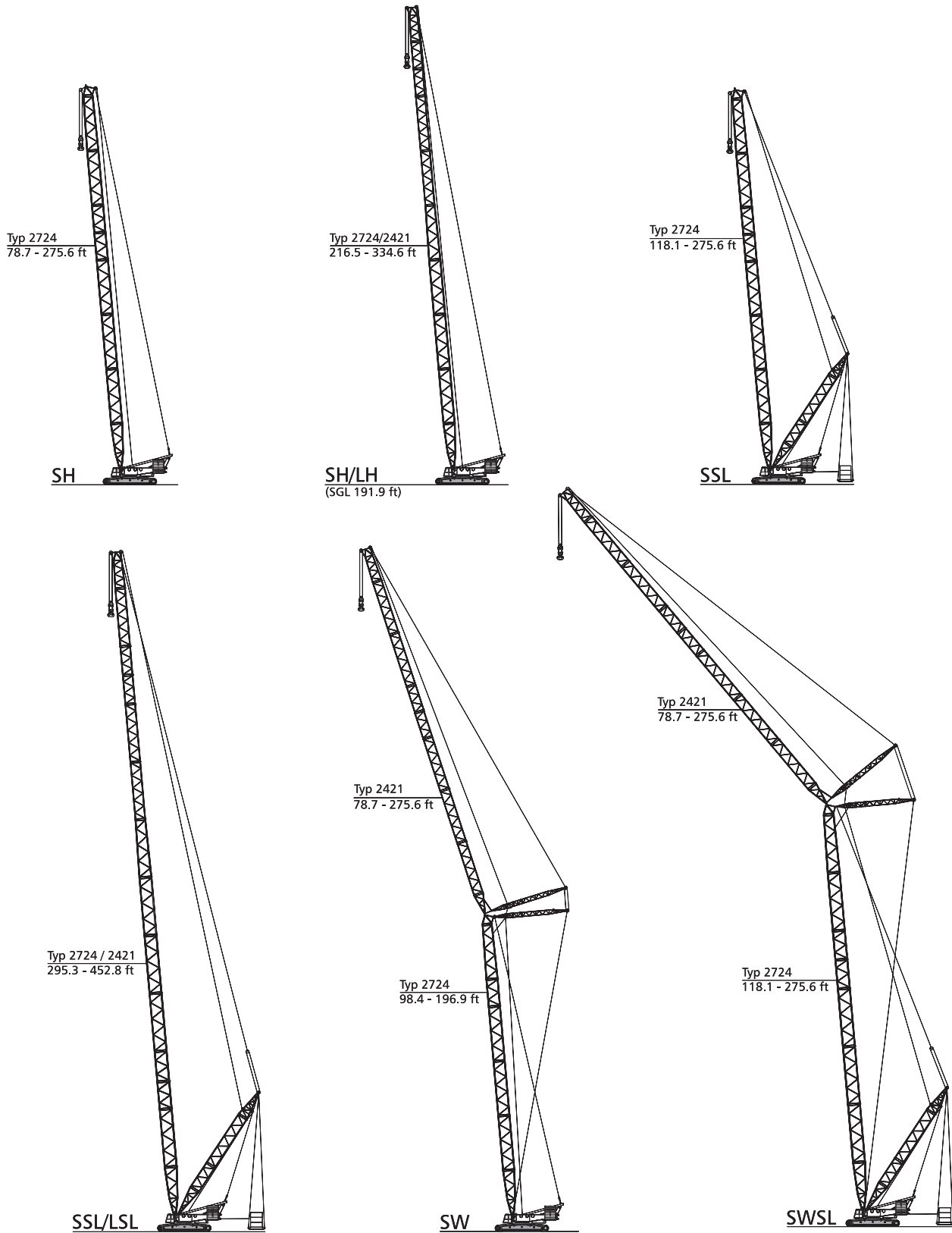




LIFTING CHARTS - Crawler Cranes

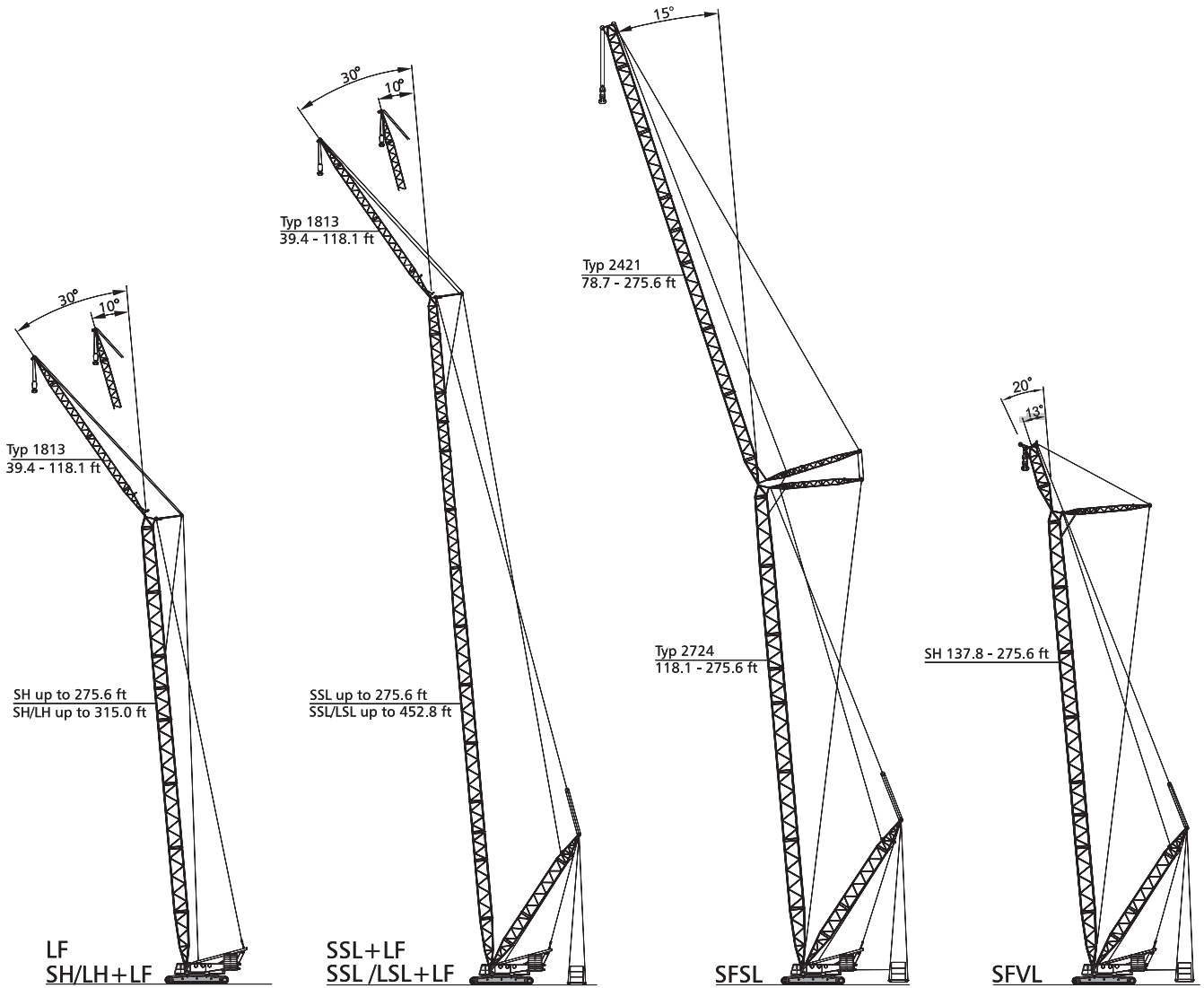
DEMAG MODEL CC 2800 - 660 TON CAPACITY

Boom combinations



STERLING CRANE

Boom combinations



Specifications

| Erection / lowering of the CC 2800 boom systems to the ground | | | | | |
|---|----------------------------------|--------------------------------|---------------------|-----------------------|---|
| Version | Main boom ft | Fly jib ft | Counterweight lb | Central ballast lb | Remarks |
| SH | 78.7 - 236.2 255.9 - 275.6** | – | 397,000 | 132,000 | |
| SH/LH | 216.5 - 275.6 295.3 - 334.6** | – | 397,000 | 132,000 | |
| SW | 98.4 - 157.5 177.2 - 196.9 | 78.7 - 275.6 78.7 - 275.6** | 397,000 397,000 | 132,000 132,000 | Without add. sheave assembly on boom head |
| LF 10°, 30° | 98.4 - 236.2 275.6 | 39.4 - 118.1 39.4 - 118.1** | 397,000 397,000 | 132,000 132,000 | Without add. sheave assembly on boom head |
| LF on SH/LH 10°, 30° | 98.4 - 275.6 295.3 - 334.6 | 39.4 - 118.1 39.4 - 118.1** | 397,000 397,000 | 132,000 132,000 | Without add. sheave assembly on boom head |
| SSL | 118.1 - 275.6 | – | – | – | with SL-counterweight |
| SSL/LSL | 295.3 - 452.8 | – | – | – | with SL-counterweight |
| SWSL/SFSL/ SFVL | 118.1 - 275.6 | 78.7 - 275.6 | – | – | with SL-counterweight |

Remarks

All versions without runner!

Further details on request!

Erection over idler wheel for all versions!

** Only with assist crane or auxiliary equipment