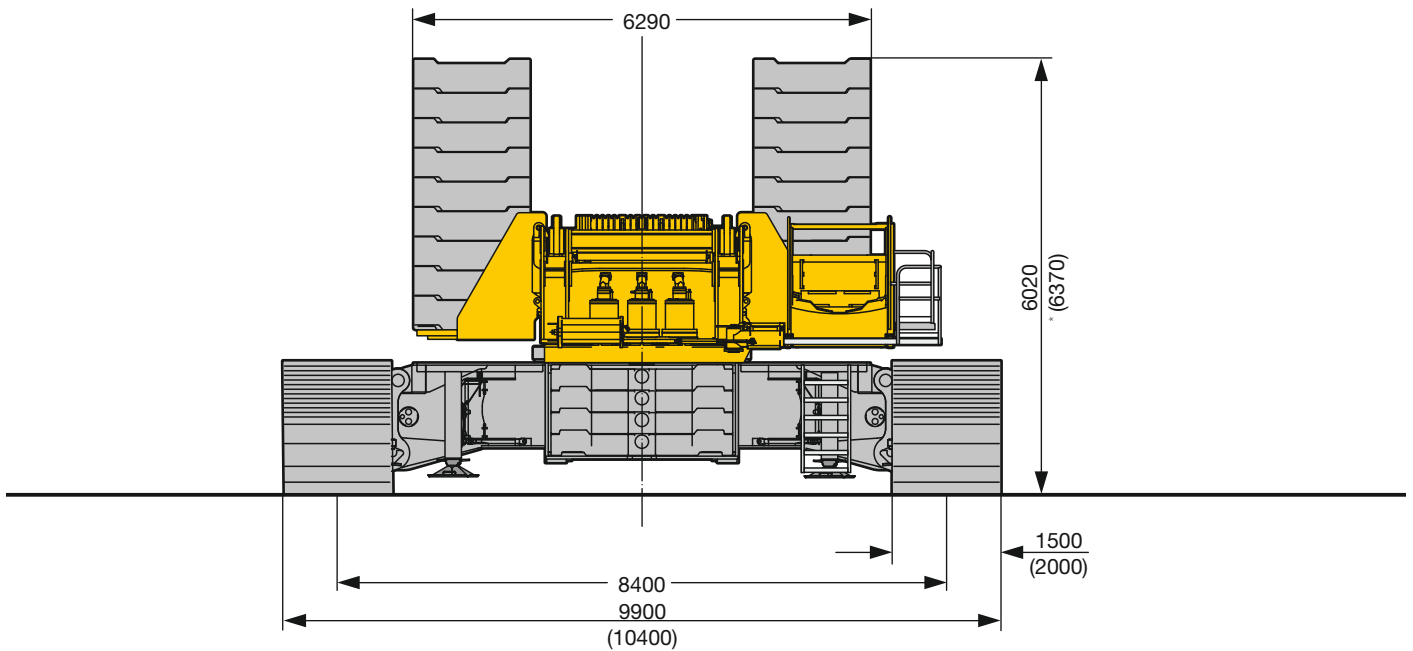
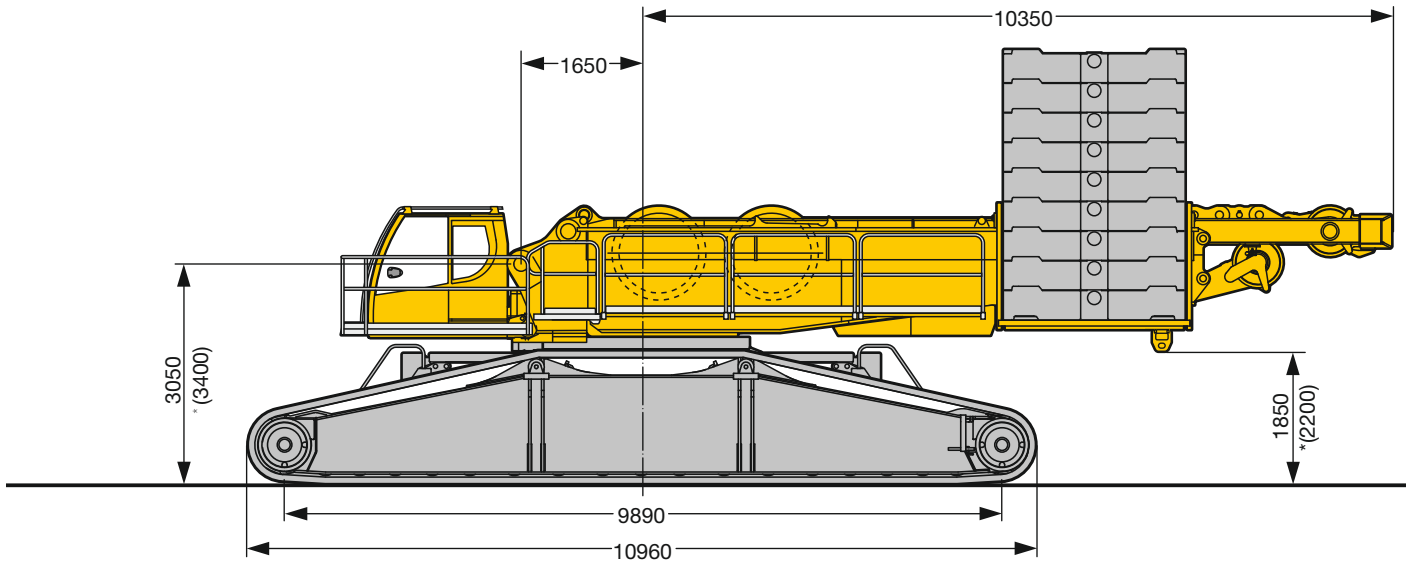




## LIFTING CHARTS - Crawler Cranes

### LIEBHERR MODEL LR 1600/2 - 660 TON CAPACITY

#### Dimensions

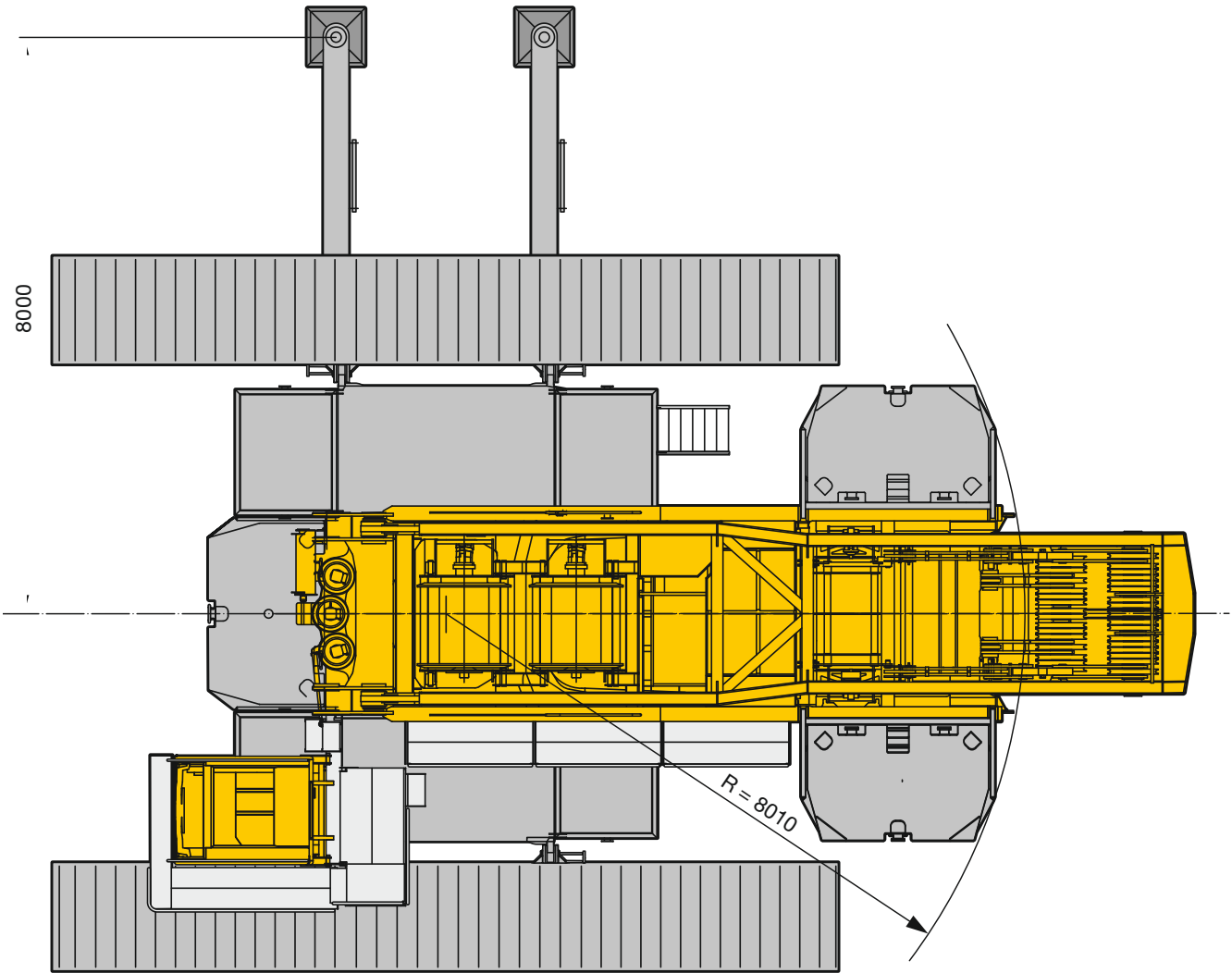


\* Quick Connection

S2210.01

# STERLING CRANE

## Dimensions



S2211.01