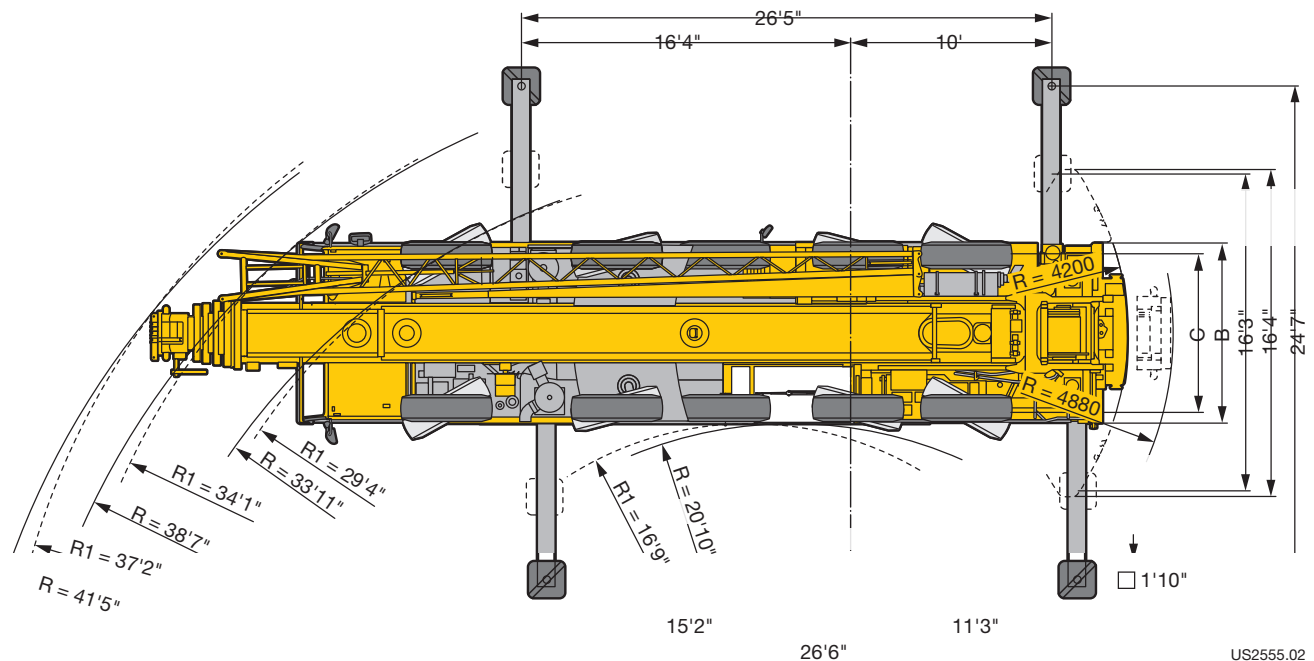
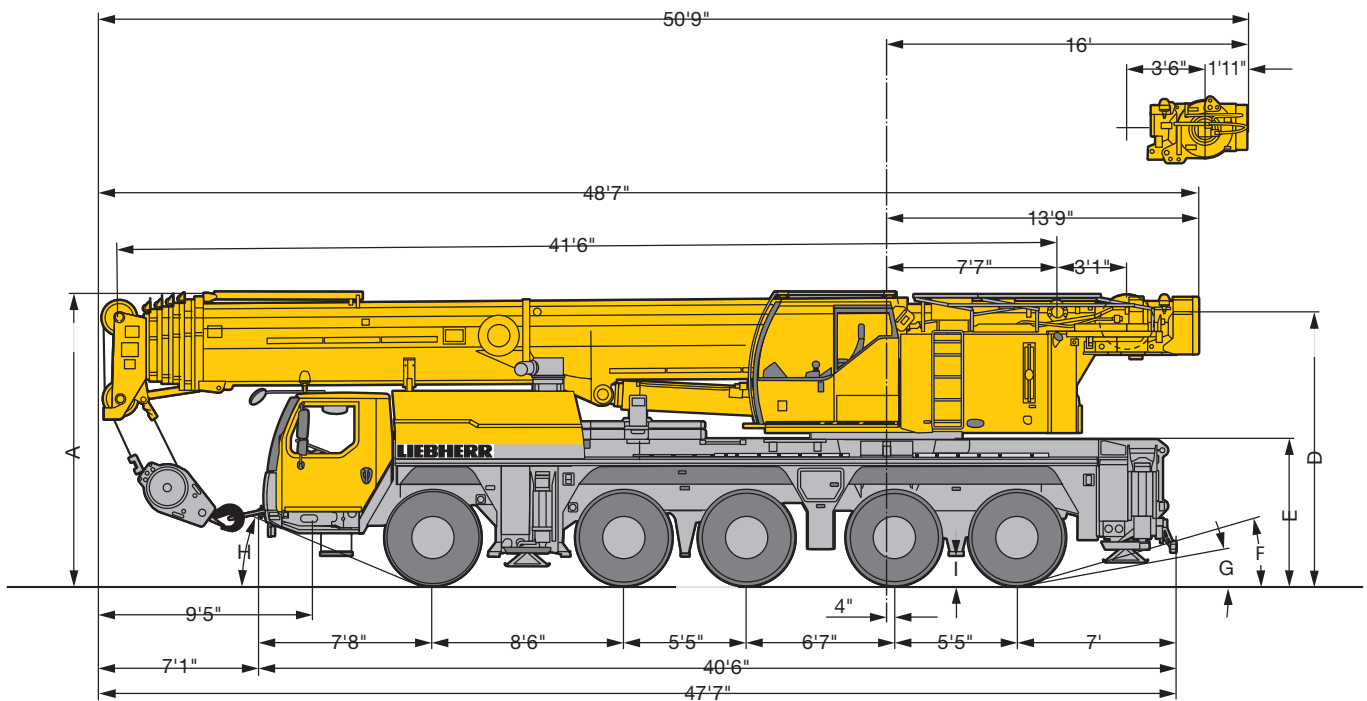




LIFTING CHARTS - All Terrain Cranes

LIEBHERR MODEL LTM 1130-5.1 - 155 TON CAPACITY

Dimensions Encombremment



US2555.02

R₁ = All-wheel steering · Direction toutes roues

	Dimensions · Encombremment										
	A	A 4" *	B	C	D	E	F	G	H	I	
445/95 R 25 (16.00 R 25)	13'1"	12'10"	9'	7'7"	12'4"	6'9"	20°	13°	24°	1'5"	
525/80 R 25 (20.5 R 25)	13'1"	12'10"	9'4"	7'7"	12'4"	6'9"	20°	13°	24°	1'5"	

* lowered · abaissé